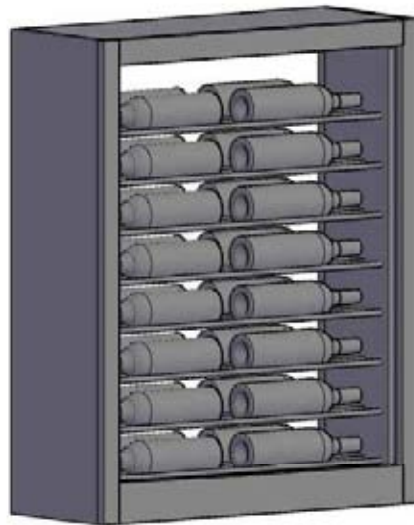




Superior Design & Craftsmanship

Wine Rack Assembly Instructions

UPPER & LOWER ROD DISPLAYS



Congratulations! You have purchased the finest wine racking available anywhere. Properly assembled, your Vigilant wine racks will outlast even your finest wines. Please call toll free 888-812-4427 if you have any questions or problems.

Tools Required for Assembly

- Electric drill or cordless screw gun
- 9/64" drill bit
- Phillips Head Screwdriver
- #2 Square drive bit / #2 Phillips bit
- Hammer, preferably rubber or soft-faced

Tips for Building Your Wine Racks

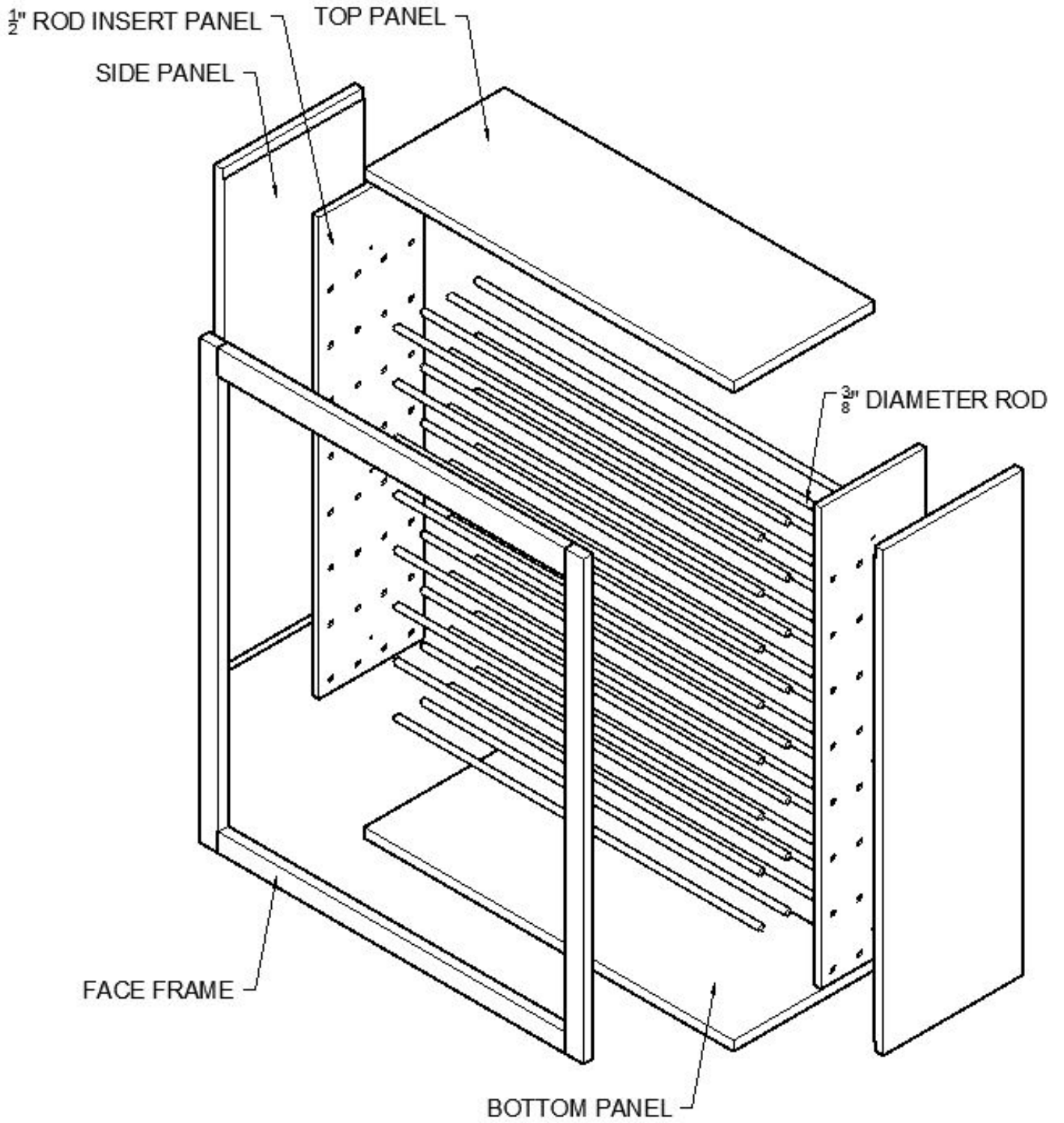
If you are using a powered screw gun that has a clutch, make sure to set it at a low setting first until you find the right setting. If you have it set high it may over-tighten and then split the wood.

Pre-drill all screw holes with a 9/64" drill bit. This makes it less likely for your wood to split. (The easiest way to do this is to follow the pre-drilled holes provided on certain pieces as your guide.)

When attaching racks to adjacent racking we recommend using clamps to hold the adjacent racks together before securing with screws.

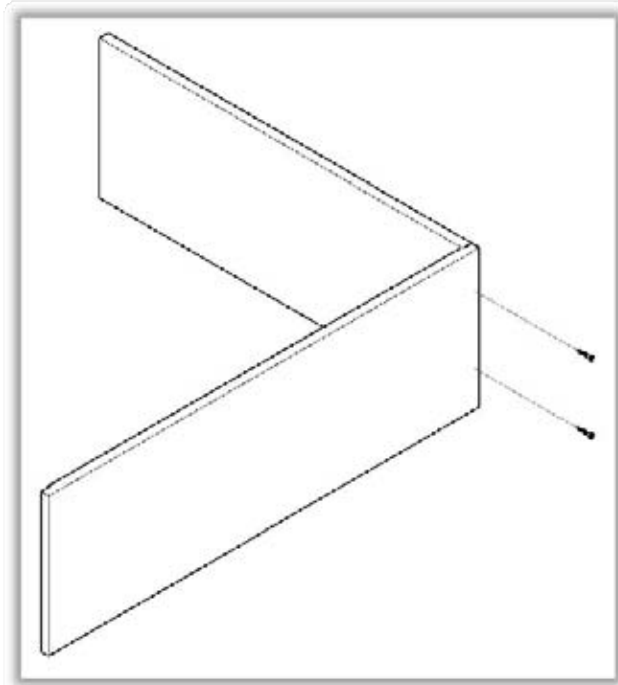
The best placement for your screws, to secure adjacent racks is behind the applied face frame. This keeps the screws hidden and keeps your rack secure and steady.

Exploded View

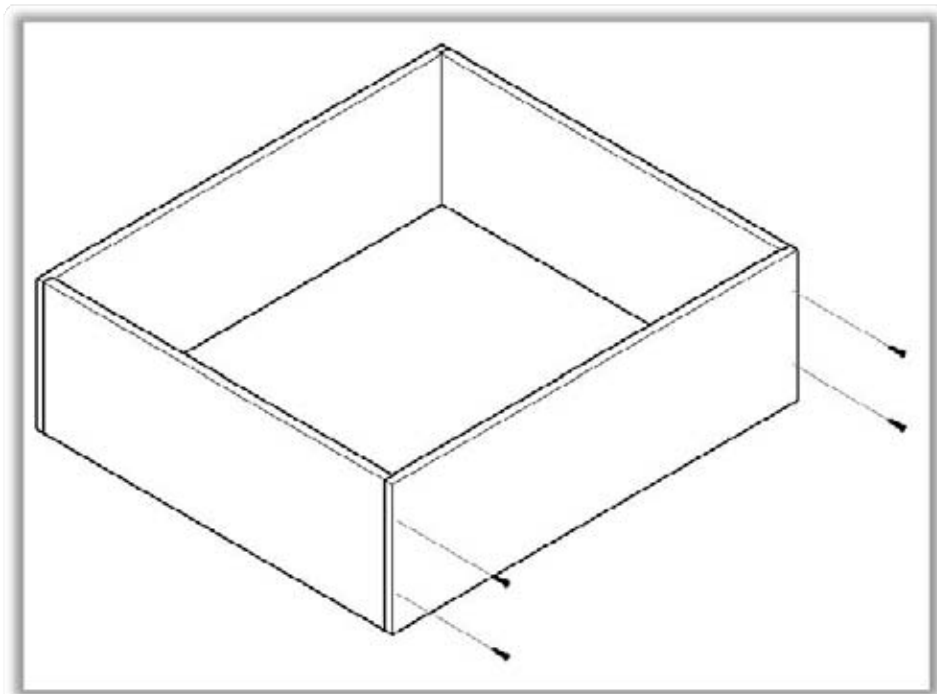


STEPS FOR ASSEMBLY

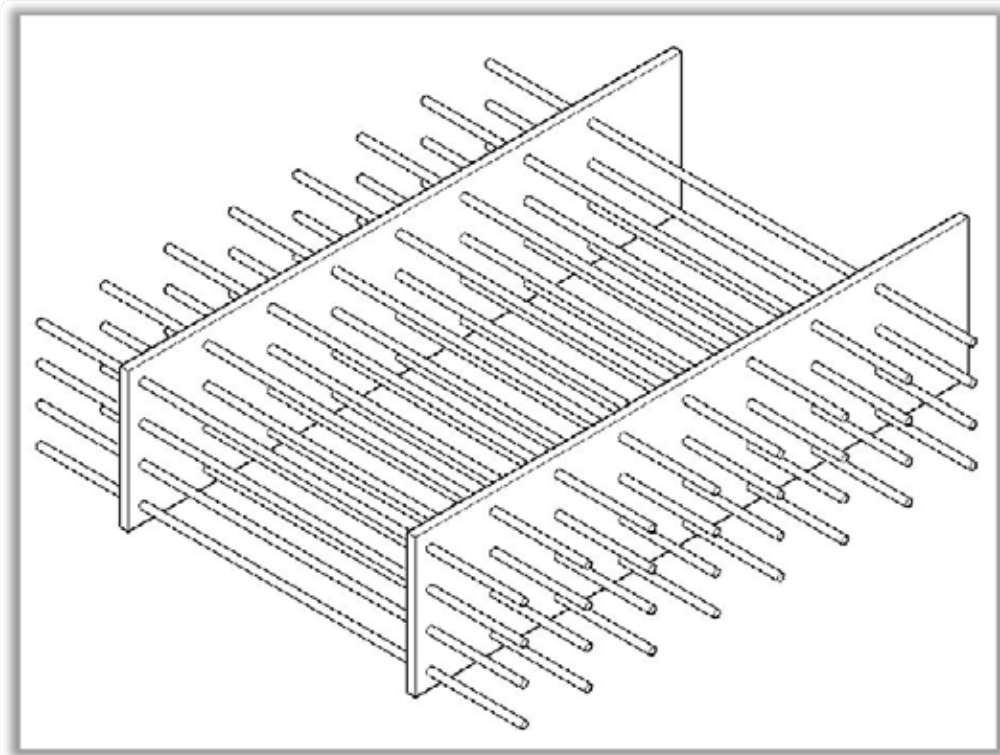
1. Locate 1 side panel and the top panel. Standing both panels on edge, pre-drill the end of the top panel using the pre-drilled holes in the side panel as a reference. Apply a small bead of wood glue (not supplied) at this joint and screw the panels together.



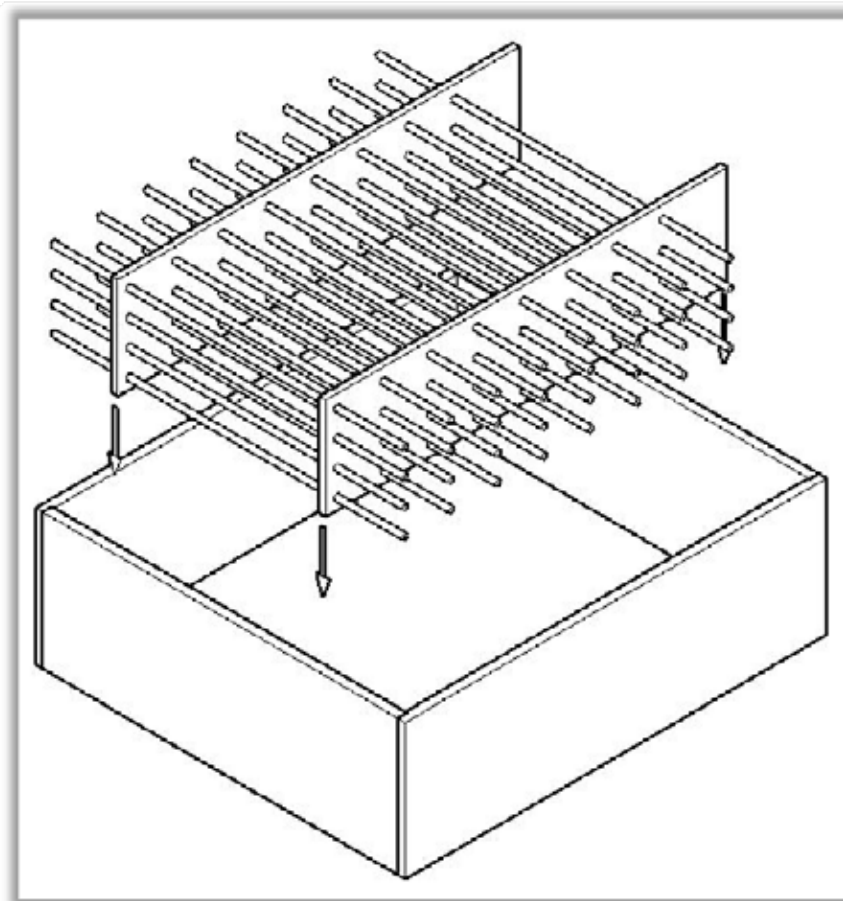
2. Locate the other side panel and bottom panel and repeat step 1.



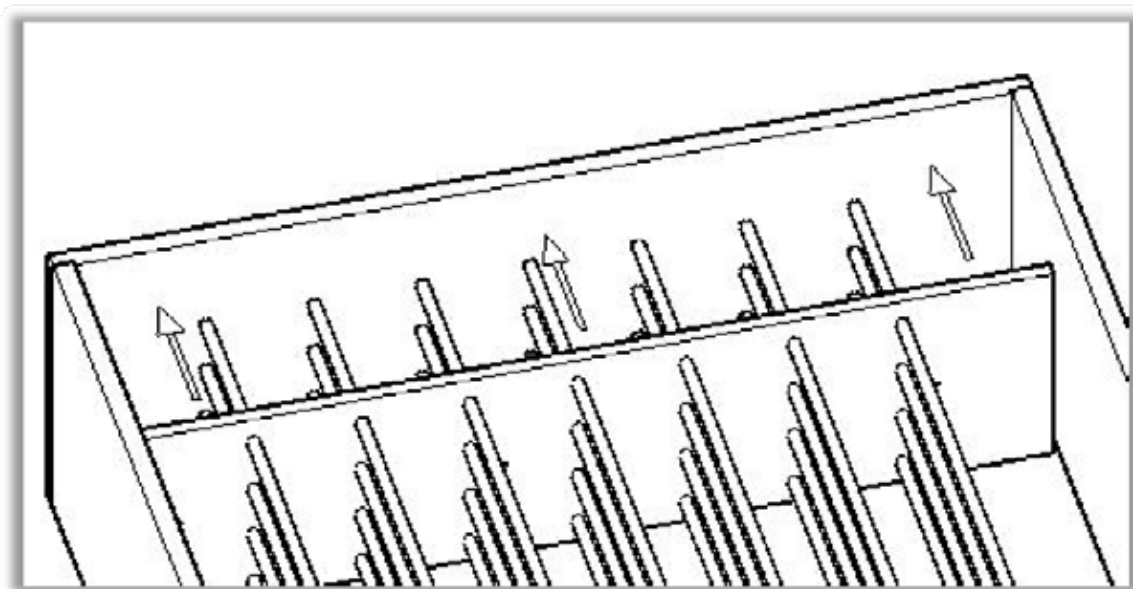
3. Locate the metal rods and feed them through the pre-drilled holes of both rod display insert panels. Using a rubber mallet or scrap piece of wood flush the ends of the rods as best as possible.



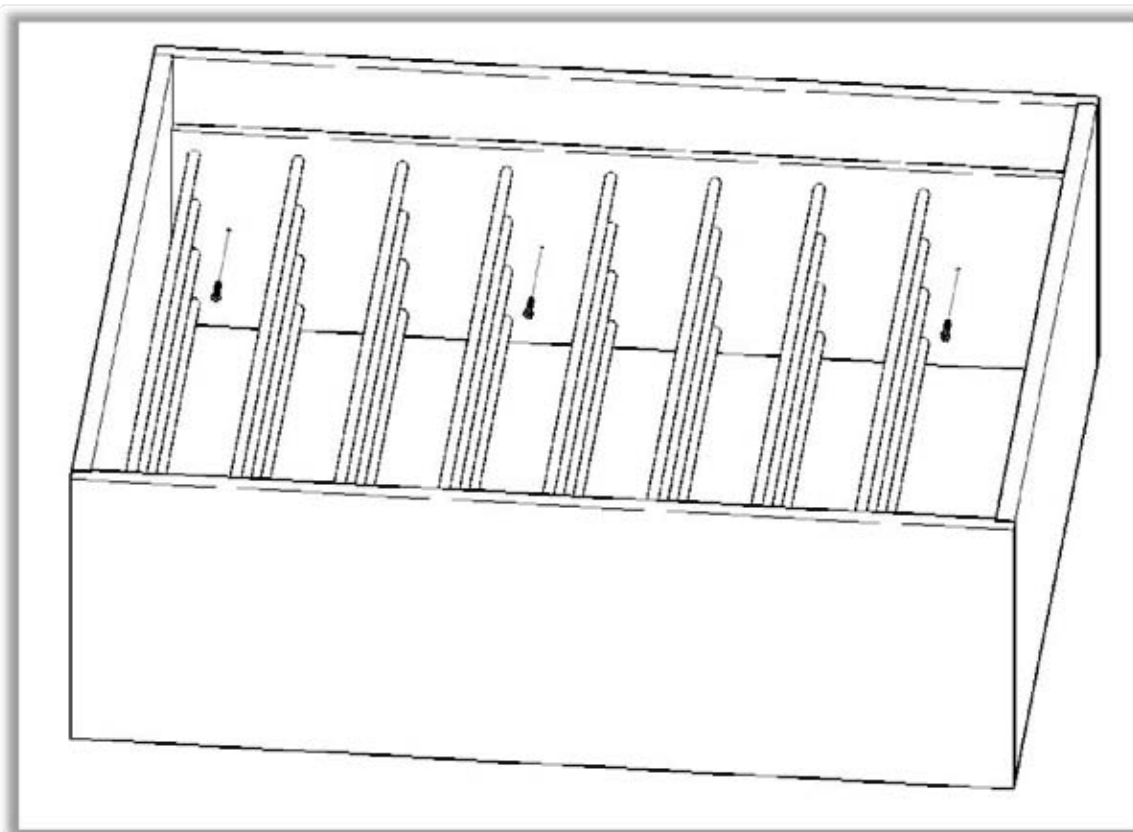
4. Locate the rod assembly in the assembled carcass by carefully lifting the assembly and sliding it into the carcass. **This step requires two people due to the weight of the assembly.**



5. Slide the 1/2" insert panels towards the side panels until they touch.



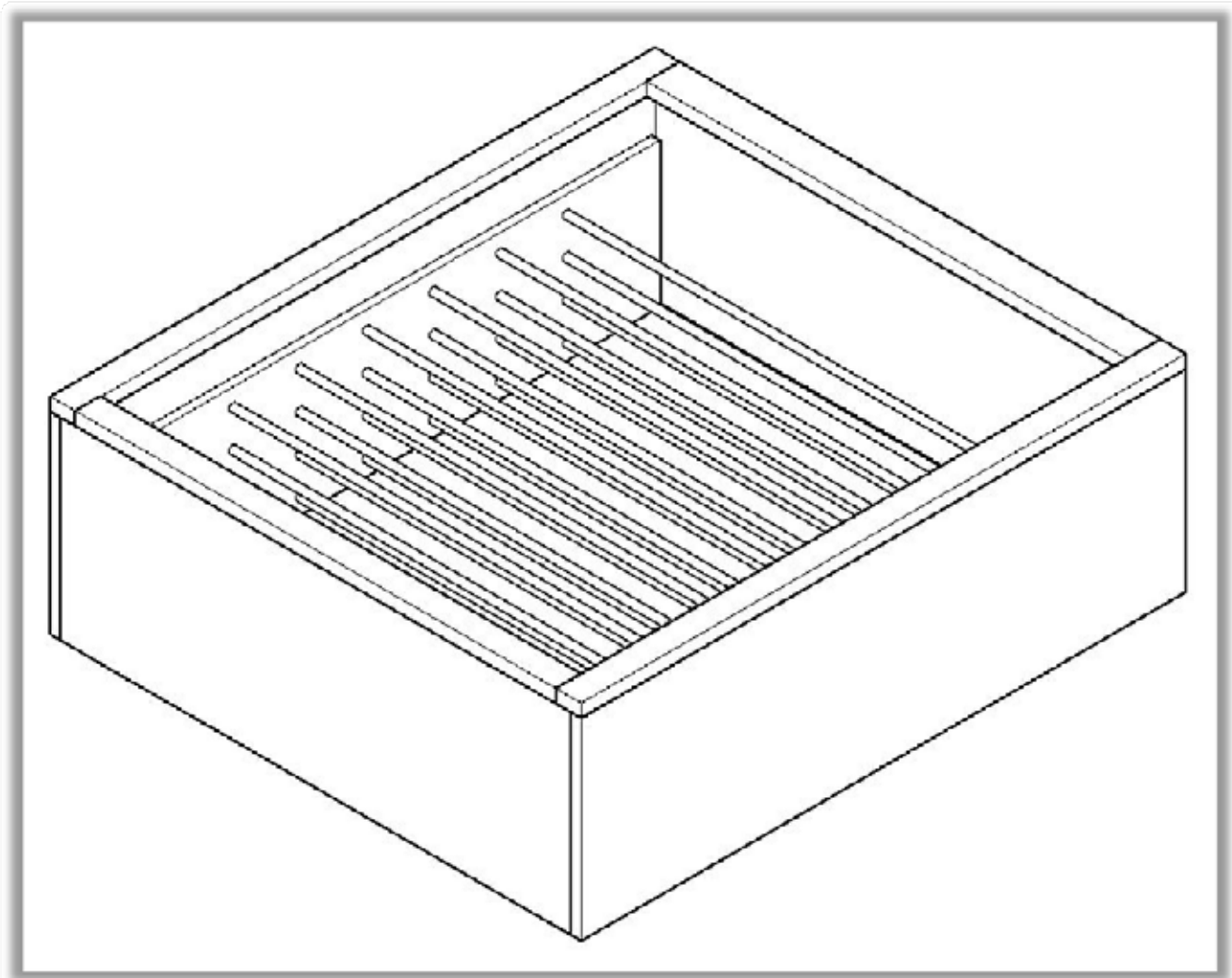
6. Pre-drill through the holes in the insert panels into the side panels and affix 1/2" insert panels to the side panels. Be careful not to drill too deep puncturing the outside of the side panels.



7. Repeat step 6 for the other 1/2" insert panel.

8. Locate the face frame pieces, holding them to the face of the cabinet, check for correct fit.

9. Affix the face frame pieces to the carcass by bradding through the face of each piece into the edge of the carcass.



10. Carefully tip the cabinet into the upright position, your assembly is complete!

How to Care for Your Stained & Lacquered Wine Racks

Your Vigilant wine racks are built using the highest quality wood and finish available. When properly cared for, your wine racks will last longer than your finest bottles of wine. Here are a few tips on maintaining the quality and consistency of your racking.

Remove Dust: Dust build up from small airborne particles may scratch the surface if not removed correctly. Simply wipe the surface with a cloth dampened with a non-wax cleaning polish or mild detergent.

Clean: Fingerprints, cooking fumes, smoking residue, etc., accumulate on any surface. None of these contaminants will harm our Satin lacquer finish, but they should be periodically removed to restore the finish to its original luster. Just wipe the surface with a cloth dampened with a non-wax containing polish or mild detergent solution. Avoid the use of ammonia based products or silicone oil, as they may cause damage if used over a long period of time.

Our satin lacquer finish is durable and resistant to most household spills. However, spills should be wiped up promptly to avoid potential problems.

Excessive prolonged exposure to direct sunlight, high temperatures and high humidity can cause damage to both the finish and the wood itself. These should be avoided.

Following these simple steps will keep your finished wine racks looking like new for many years.



Superior Design & Craftsmanship

Questions?

Please contact our Customer Service Department
at 888-812-4427

Vigilant Inc.
85 Industrial Park Drive
Dover, NH 03820
(603) 285-0400

Info@vigilantinc.com
Website: vigilantinc.com