



## Commercial Wine Display Kits Liquor Displays



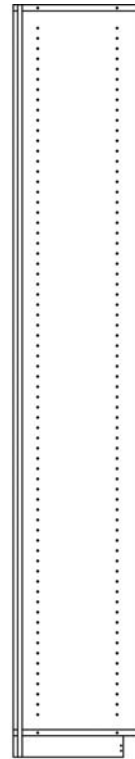
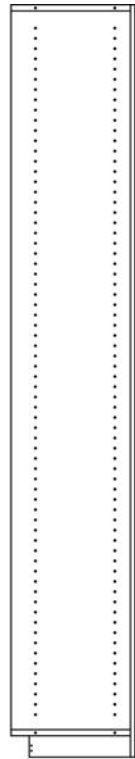
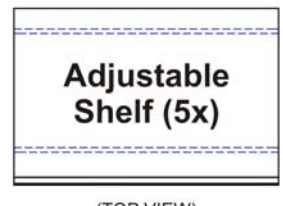
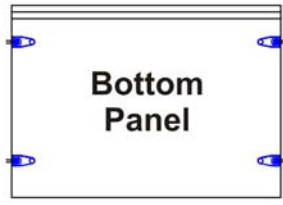
Congratulations! You have purchased a superior commercial wine rack kit. These commercial kits have been specifically designed to properly store and display your wine. Please call toll free 888.812.4427 if you have any questions or problems.

**Tools Required:**

- Philips Head Screw Driver
- Power Drill
- 1/8" Drill Bit

**Parts**

- (1) Top Panel
- (1) Bottom Panel
- (1) Left Side Panel
- (1) Right Side Panel
- (1) Back Panel
- (5) Adjustable Shelves
- (1) Toe Kick
- (3) Modesty Blocks
- (9) #8 x 1" Square Head Screws
- (8) Connector Studs



**Parts List**



### Commercial Wine Rack Tips

Do not use a power drill when tightening your CAM fittings, if you do your CAM fitting could break.

Do not over tighten your CAM fittings or the CAM fitting will break.

Before assembling your commercial wine storage unit place a blanket down. You want a clean and scratch free surface during assembly.

Pre-drill all screw holes with a 1/8" drill bit. This makes it less likely for your wood to split. (The easiest way to do this is to follow the pre-drilled holes provided on certain pieces as your guide.)

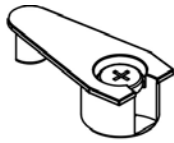
If you are assembling a quarter round, **Do Not** pre-drill your screws holes for the toe kick or you might drill through the bottom shelf.

When assembling your case work make sure that all front edges are flush to one another.

# Exploded View



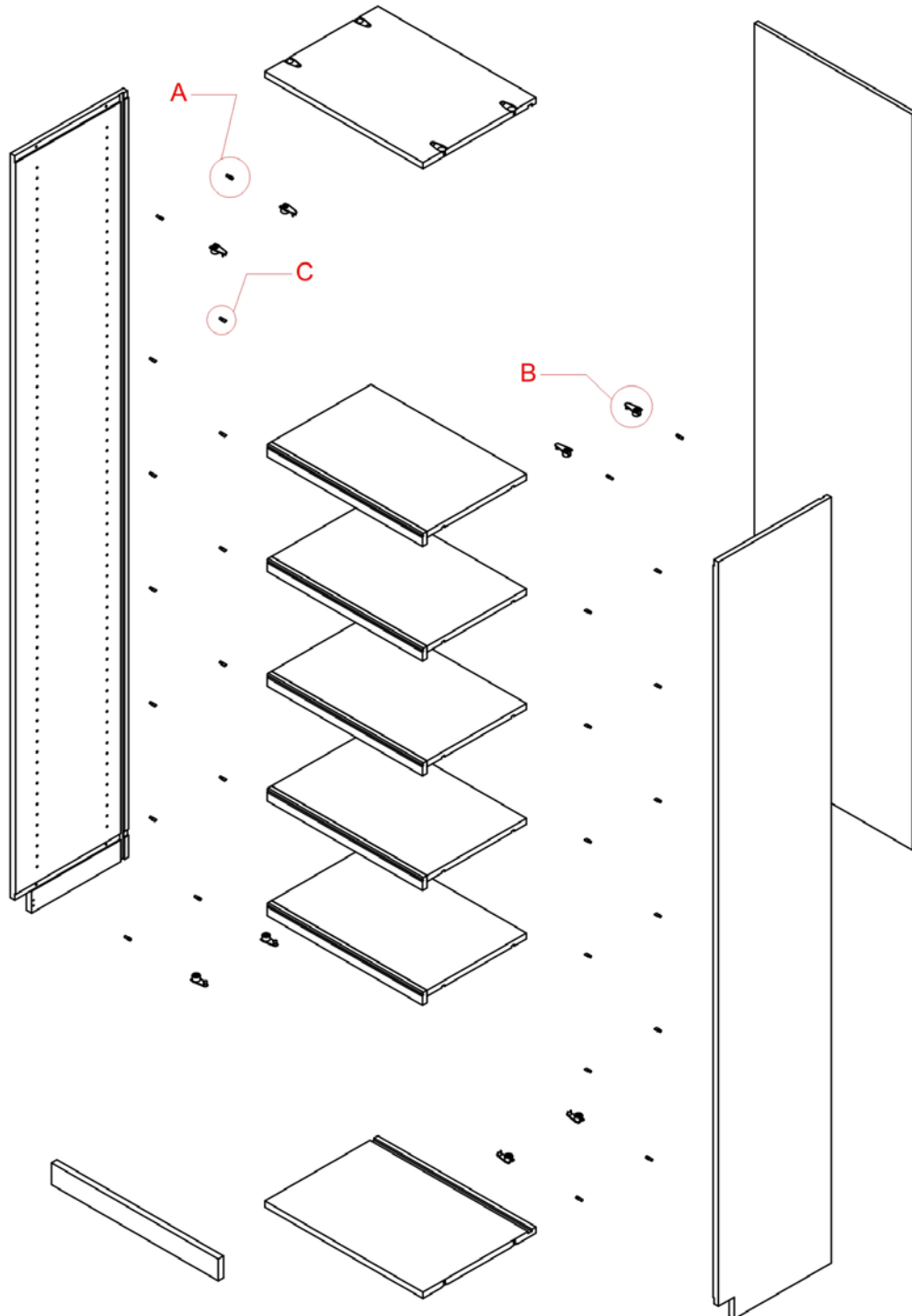
**Detail A**  
**Connector Stud**



**Detail B**  
**CAM Fitting**

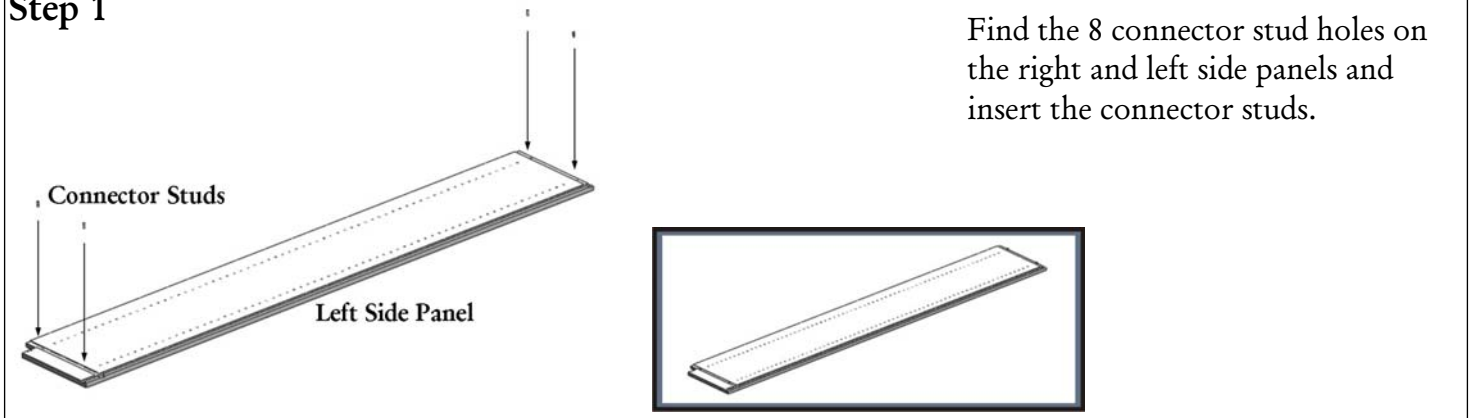


**Detail B**  
**Shelf Pin**

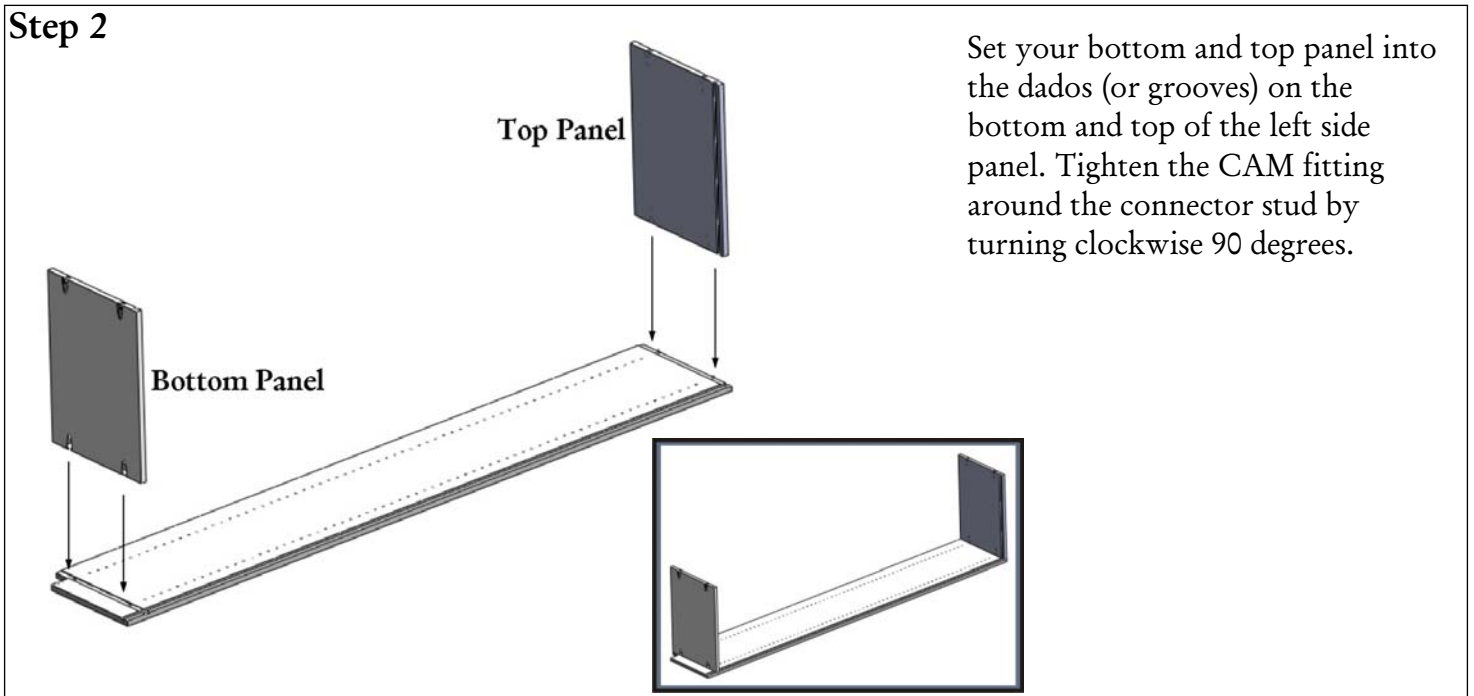


## Steps to Assembly

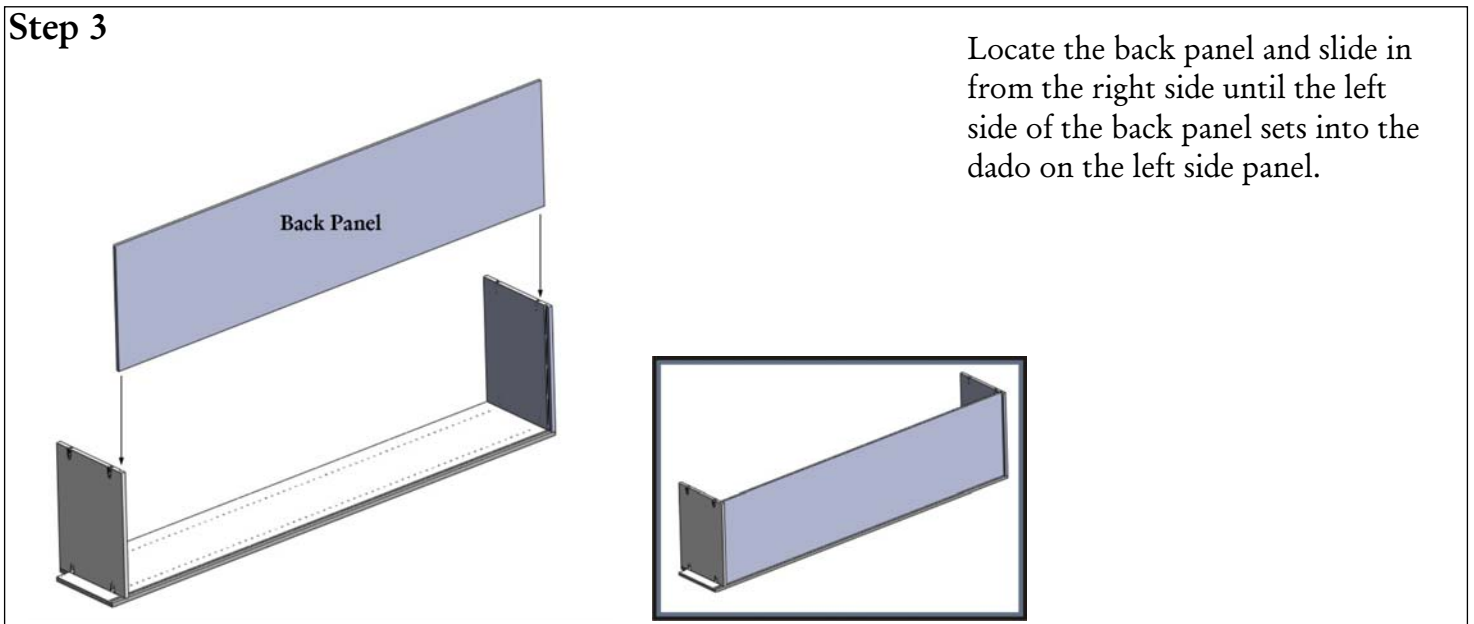
### Step 1



### Step 2

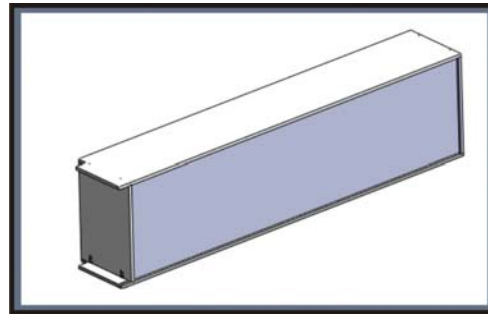
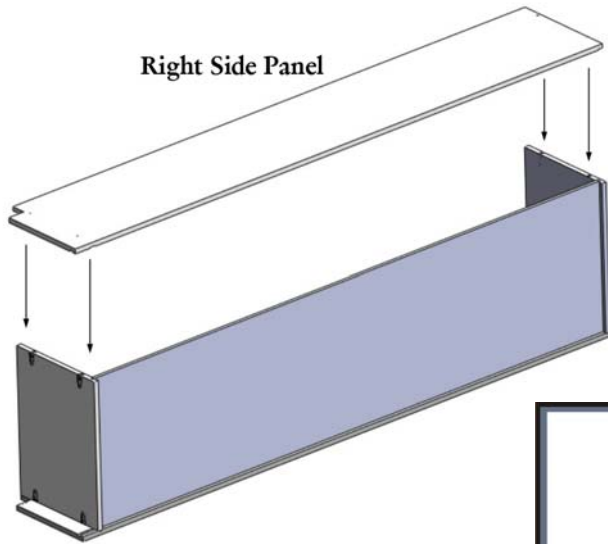


### Step 3



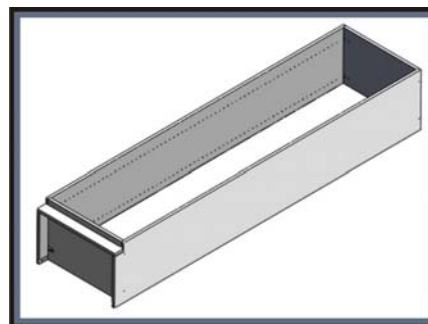
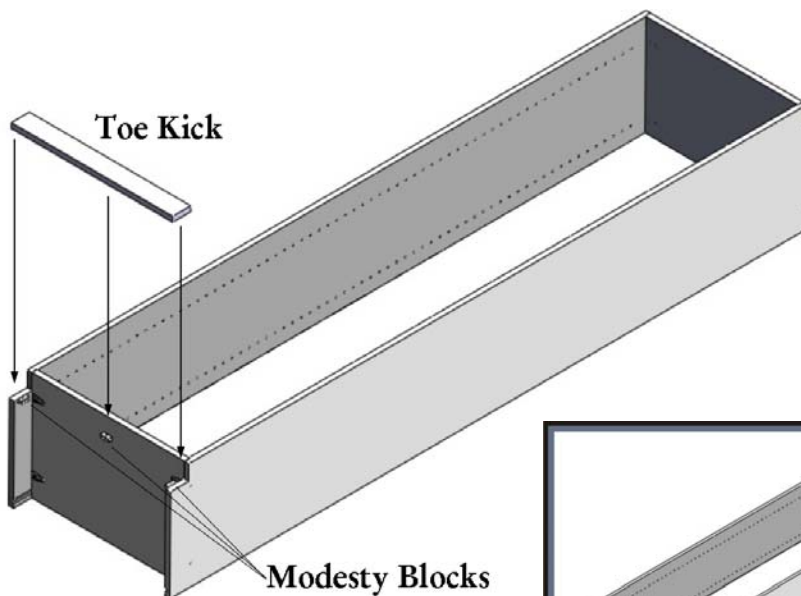
## Step 4

Locate the right side panel, align the CAM fittings with the connector studs on the top and bottom panels. Tighten all the CAM fittings around the connector studs.



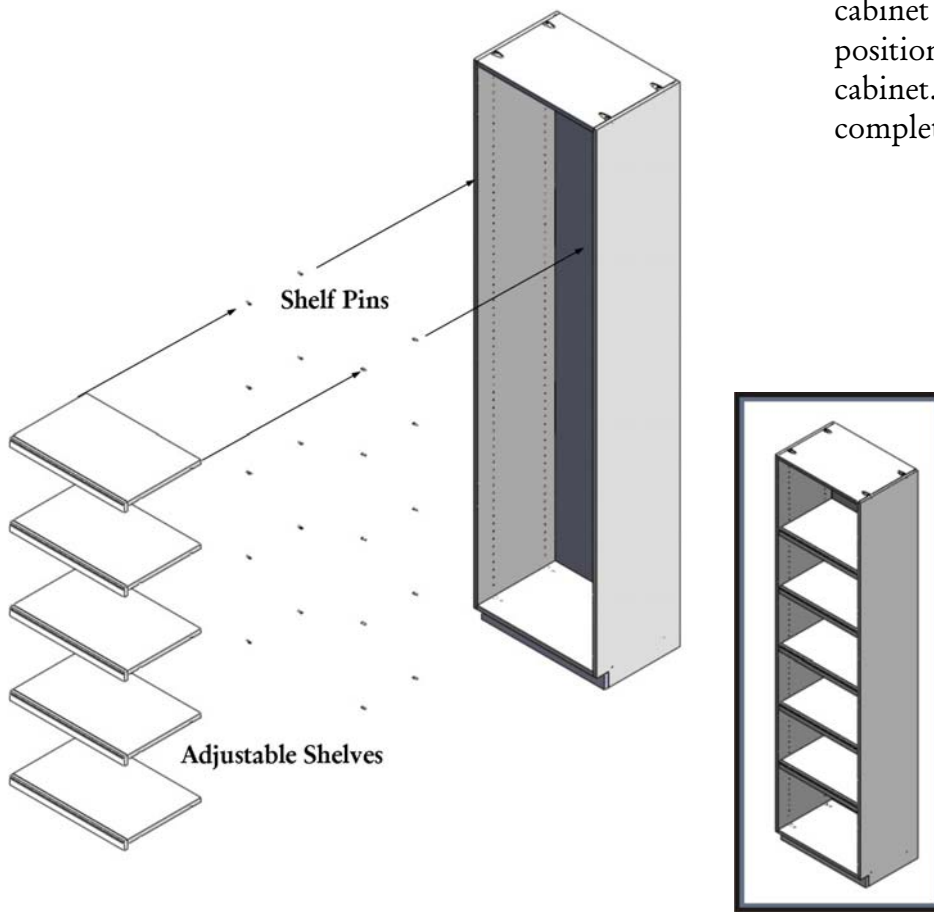
## Step 5

Flip the cabinet so the back is facing down. Locate the three modesty blocks. Attach one to the right side panel edge and the other to the left side panel edge using (2) 1" screws for each modesty block. Line the third modesty block up to the pre-drilled holes on the bottom panel. Attach using (2) 1" screws. Place the toe kick in front of the modesty blocks and attach with the remaining 1" screws.



## Step 2

Insert the shelf pins provided into the cabinet to achieve desired shelf resting position. Insert the display shelves into the cabinet. The Liquor Display is now complete.



*Additional installation questions?*  
*Contact us:*



VIGILANT, INC.  
85 Industrial Park Drive  
Dover, NH 03820  
Toll Free 1-888-812-4427  
Outside US 1-603-285-0400  
Fax 1-603-285-0420  
email: [info@vigilantinc.com](mailto:info@vigilantinc.com)  
On the web [www.vigilantinc.com](http://www.vigilantinc.com)