

**INSTRUCTIONS!  
DO NOT DISCARD!**

**CAUTION!**

Do NOT install where injury might occur due to  
Moving parts, Sharp corners, Hot surfaces  
or electrical components

# INSTALLATION INSTRUCTIONS

## CAUTION

**This equipment should be installed only by a qualified technician.**

- 1 Select a location for the evaporator coil. The Ideal location would be directly across from the entrance door. This will purge the entrance area when the door is opened, However since wine cellars are closed most of the time this is not critical. Mount the evaporator coil to the ceiling leaving a distance equal to the height of the unit, minimum, to the wall to allow for proper airflow. If you have a air handler system refer to the additional information supplied. Wall mount units require no additional space, except to ensure that air flow is not restricted.
- 2 Place the condenser at the desired location (air cooled condensers must be outside the wine cellar in a well ventilated area or outside). When installing an outdoor condenser be sure that it is located so snow or leaves will not pile up and block air flow. This can be accomplished by setting the condenser on concrete blocks Etc.
- 3 Install a line set sized according to the specifications for your unit. Insulate the vapor line the entire length of the run. Be sure to install “P” trap in the suction line, several may be required if the condenser is higher than the evaporator.
- 4 Connect your gauges and Vacuum Pump to the condenser and evacuate the system.
- 5 While the system is being evacuated, install the thermostat following the manufactures instructions and run the thermostat wire to the condenser unit, use the R and Y Terminal on the thermostat sub base, connect to the yellow and red wires in the condenser unit, if the system is an indoor unit use the R and G terminal on the control relay. On air handler systems refer to the drawing for that system. If possible, place the thermostat or sensor on the same wall as the evaporator coil near the evaporator air inlet. This will cause the thermostat to sense the air returning to the evaporator and should cool the entire room before the unit shuts off, Preventing compressor short cycling
- 6 Charge the unit with R22 according to the specifications for your unit (or until bubbles appear in the sight glass. Continue to slowly add Refrigerant until the bubbles just disappear).
- 7 After the unit has run about 10 minutes check the sight glass. Under normal operation there should be no bubbles, if there is, the system is low on Refrigerant, Add Refrigerant to eliminate bubbles.
- 8 When the wine room has reached 55 Degrees Check the sight glass again and the gauge readings. Suction pressure should be in the range of 65 to 78. Liquid pressure should be in the range of 250 to 300. Check the superheat ( which should be 8-15°) and if necessary adjust the expansion valve to compensate.

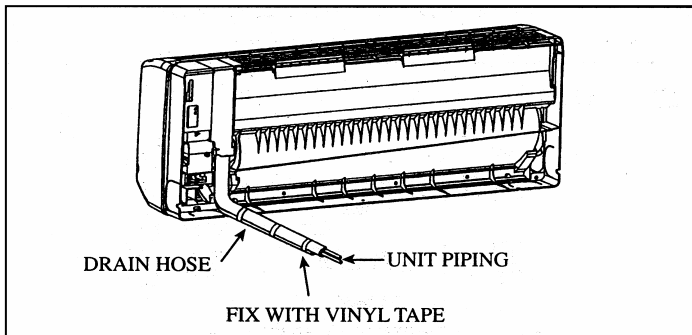
## Installation of the indoor unit

**The indoor unit must be installed so that there is no short circuit of the cool discharge air with the hot return air.**

Please follow the installation clearance shown in the figure. Do not place the indoor unit in direct sunlight. Also this location must be suitable for piping and drainage and be away from the door or window.

### ROUTING OF PIPING

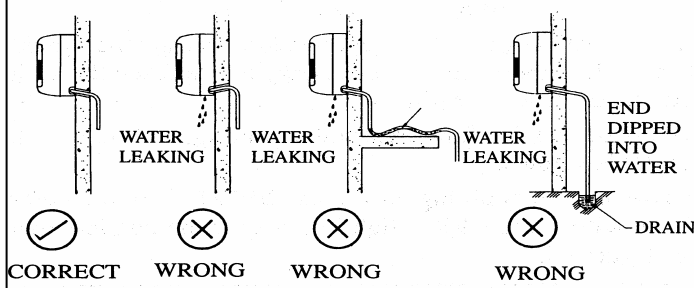
The refrigerant piping can be routed to the unit in a number of ways (left or right from the back of the unit) by using the cut-out holes on the casing of the unit (see figure). Bend the pipes carefully to the required position in order to be aligned with the holes. For right hand and rear side drawing out, hold the bottom of the piping and then fix the direction (see figure). The condensation drain hose should be taped to the pipes.



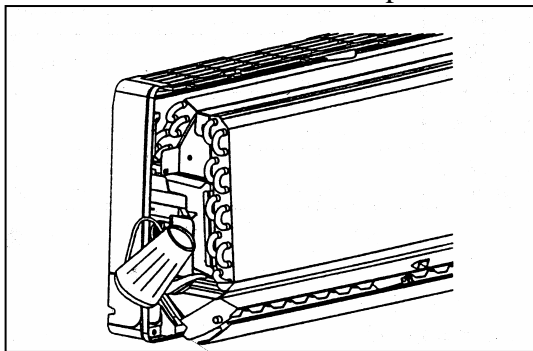
### WATER DRAINAGE PIPING

The indoor drain pipe must be downwards gradient for smooth drainage. Avoid situations that are likely to cause water leaking.

**FIGURE I**



Check to see that there is a good flow of condensate water into the drain pan.

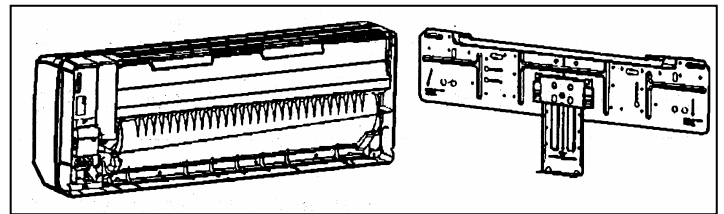


## Mounting Installation Plate

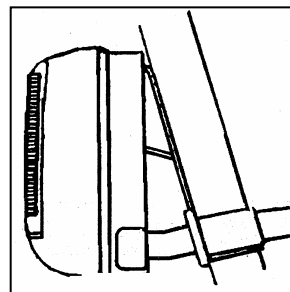
Ensure that the wall is strong enough to support the weight of the unit. Use the plumb line for horizontal mounting, and fix it with 4 suitable screws. If the lines are through the wall, drill a 65mm hole at the proper location. It should be slightly lower on the outside of the wall.

### MOUNT THE UNIT ONTO THE INSTALLATION PLATE

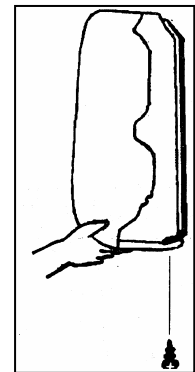
Hook the indoor unit onto the upper portion of the installation plate (engage the two hooks at the rear top of the indoor unit with the upper edge of the installation plate). To ensure that the hooks are properly seated on the installation plate, try checking by moving it slightly to left and to the right.



1. Hook the unit onto the installation plate.



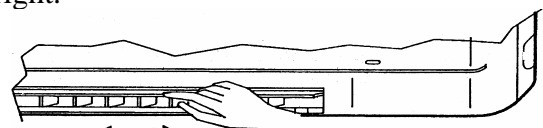
2. A unit support plate on the installation plate can be used to hold the unit slanted (see figure) to ease the piping installation work.



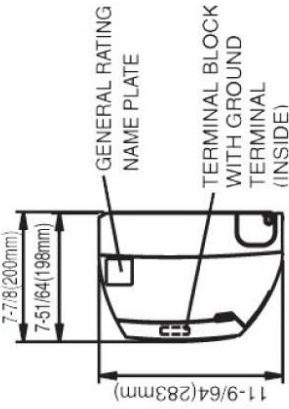
3. Fix the screw underneath after completion of installation.

### HORIZONTAL AIR FLOW CONTROL

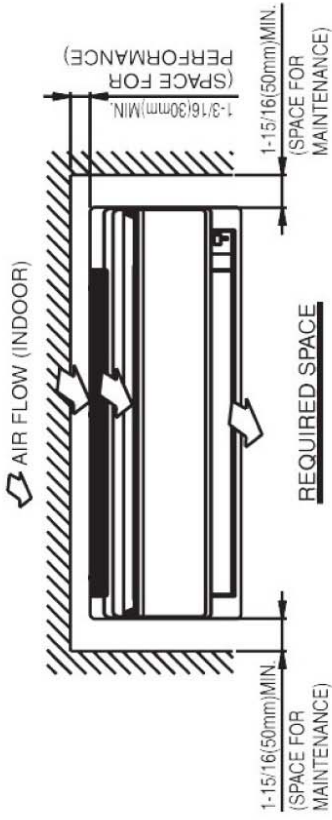
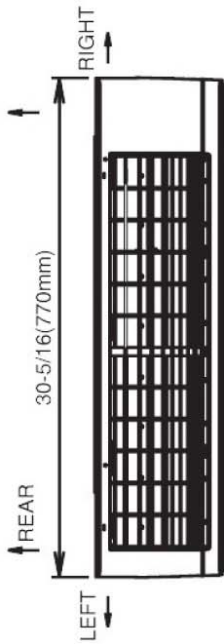
For more effective air circulation, you can manually adjust the air discharge grille to the left or right.



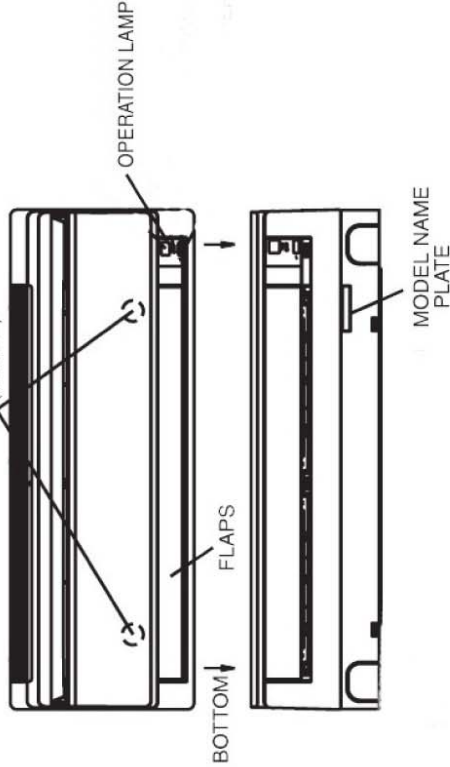
INCLUDING MOUNTING PLATE



THE MARK (\*) SHOWS PIPING DIRECTION



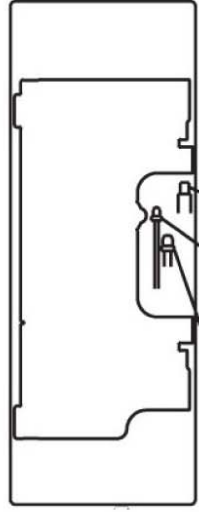
FRONT PANEL FIXING SCREWS (INSIDE)



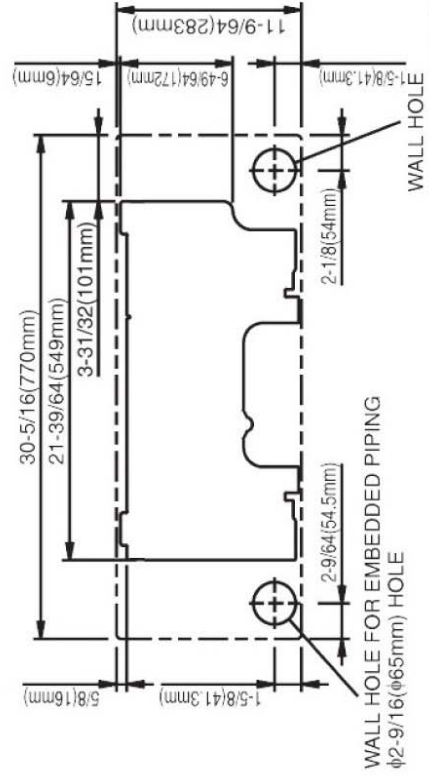
GAS PIPE  $\phi 3/8$ ( $\phi 9.5$ mm) CuT (THE LENGTH OF PIPE OUTSIDE THE UNIT : ABOUT 15-23/64(390mm))

LIQUID PIPE  $\phi 1/4$ ( $\phi 6.4$ mm) CuT (THE LENGTH OF PIPE OUTSIDE THE UNIT : ABOUT 17-21/64(440mm))

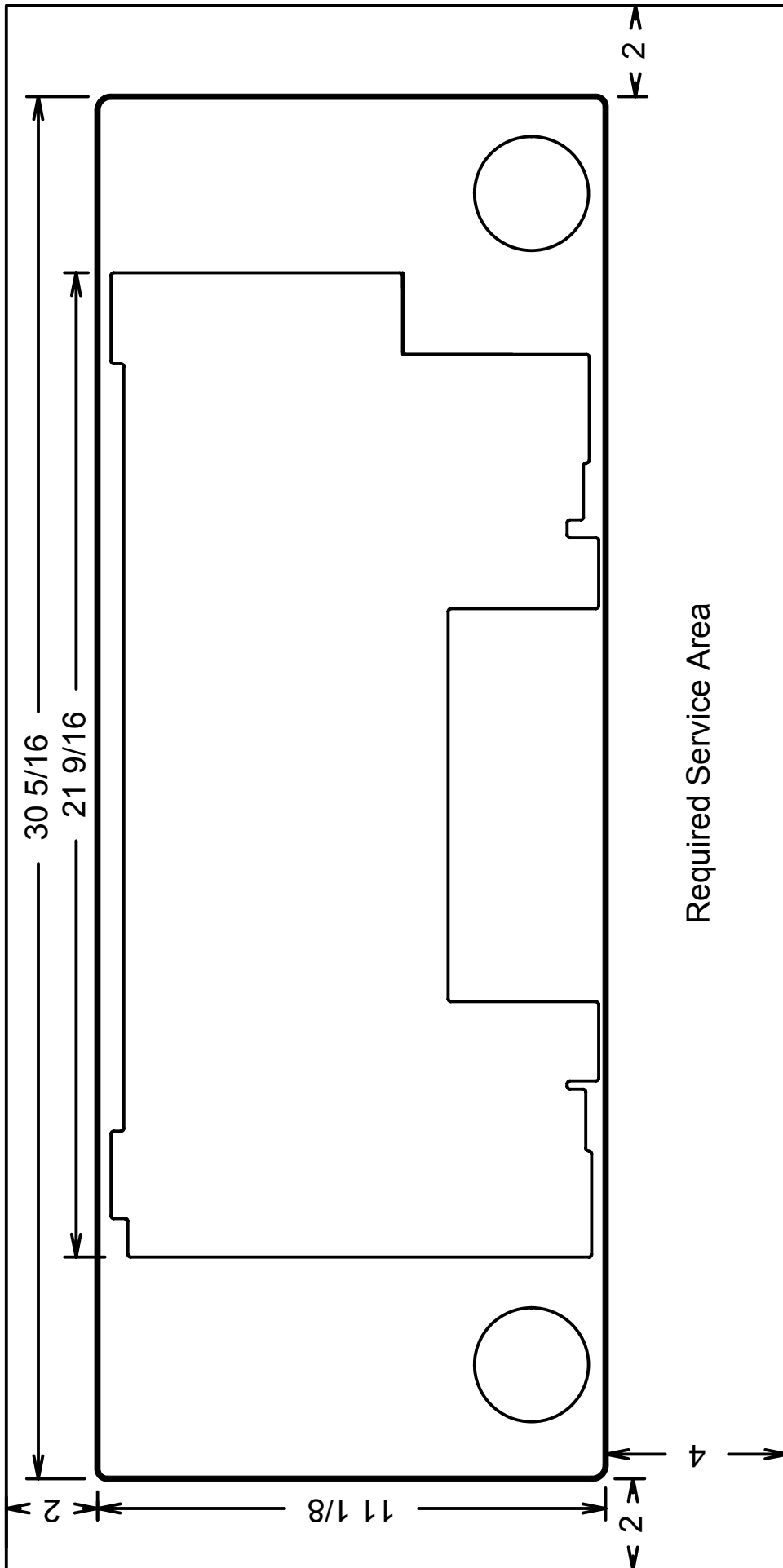
DRAIN HOSE (CONNECTING PART I.D.  $\phi 9/16$ ( $\phi 14$ mm) O.D.  $\phi 5/8$ ( $\phi 16$ mm) THE HOSE LENGTH OF OUTSIDE THE UNIT IS ABOUT 17-23/32(450mm))



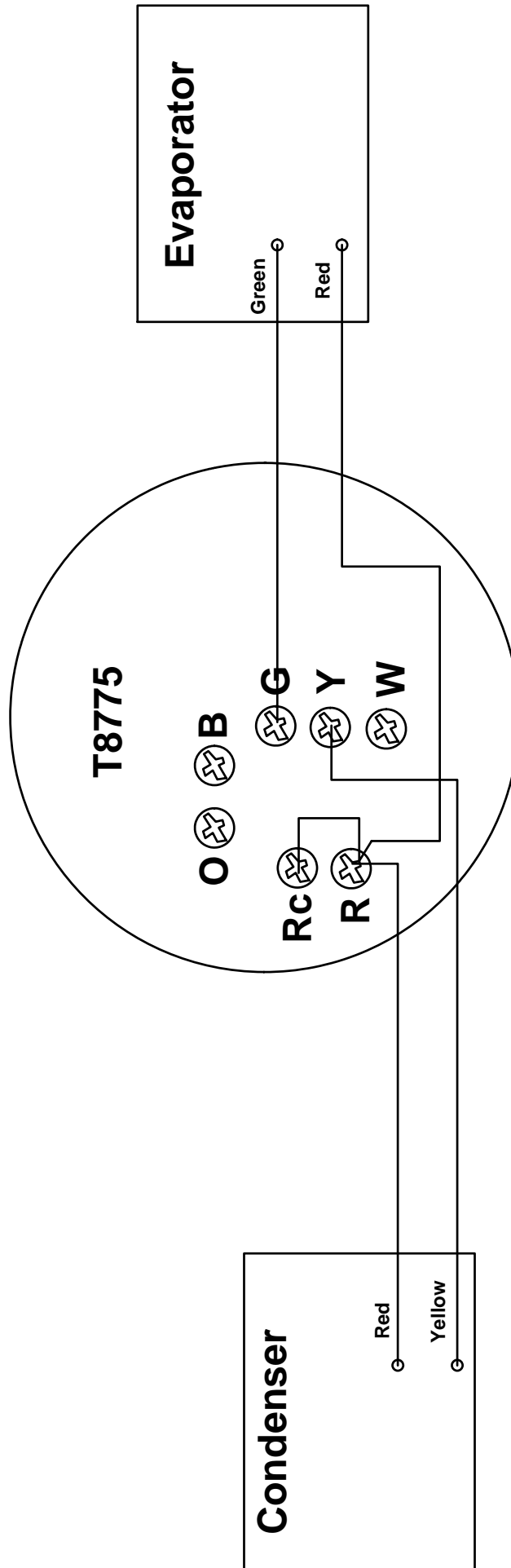
BLADE ANGLE



STANDARD LOCATIONS OF WALL HOLES



# SL Thermostat Wiring

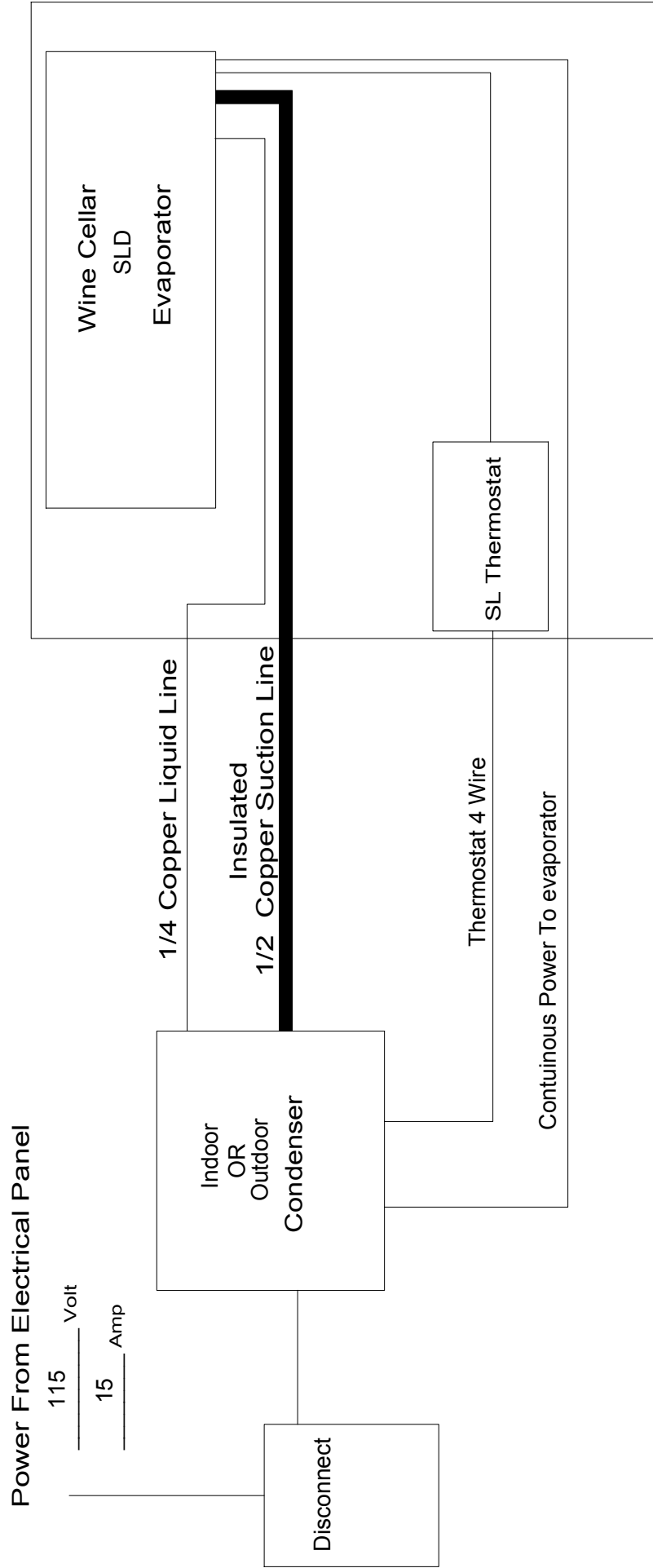




# Typical installation configuration for Split System

With 115 volt condenser and 220 volt SLD evaporator

## SLD 5700





<i>Specifications SLD-5d</i>	
Refrigerant	R22 / R422b
Charge	2.6 Lbs
Liquid Line	1/4
Suction Line	1/2
<b>Evaporator</b>	
Evaporator Air Flow Max	184/254/328
Sound Level Indoor	42 db
Evaporator Watts	34
Installed Size	30-1/4x11-1/8-7-3/4
Boxed Size	33.5x14x1035
Installed Weight	16 lbs
Boxed Weight	20 lbs
<b>Condensor</b>	
<b>Indoor Condensor</b>	
Installed Size	20.6x13.9x13.2
Boxed Size	24x17x14
Installed Weight	74 lbs
Boxed Weight	79 lbs
<b>Outdoor Condensor</b>	
Installed Size	26x18x14
Boxed Size	28x20x16
Installed Weight	89 lbs
Boxed Weight	95 lbs
<b>Condensor electrical</b>	
Min. Circuit Ampacity	15
Voltage Range	103.5-126
Max. Fuse Size	15 Amp
Compressor RLA/LRA	7.25/48.0
Fan RLA	0.53

# Wine Cellar Systems

## ALL PRODUCT LIMITED WARRANTY

**ONE-YEAR WARRANTY** - This **Wine Cellar Systems** product is warranted to be free from defects in material and workmanship under normal use and maintenance for a period of one year from the date of purchase. A new or rebuilt part to replace any defective part will be provided without charge, Provided the defective part is returned to our factory shipping prepaid. The replacement part assumes the unused portion of the warranty.

**THIS WARRANTY DOES NOT INCLUDE LABOR** or other costs incurred for repairing, removing, installing, shipping, servicing, or handling of either defective parts or replacement parts.

**WINE CELLAR SYSTEMS WILL NOT BE RESPONSIBLE FOR:**

1. Normal maintenance.
2. Damage or repairs required as a consequence of faulty installation or application by others.
3. Failure to start due to voltage conditions, blown fuses, open circuit breakers, or other damages due to the inadequacy or interruption of electrical service.

4. Damage or repairs needed as a consequence of any misapplication, abuse, improper servicing, unauthorized alteration, or improper operation.
5. Damage as a result of floods, winds, fires, lightning, accidents, corrosive atmosphere, or other conditions beyond the control of **Wine Cellar Systems**.
6. Parts not supplied or designated by **Wine Cellar Systems**.
7. Wine Cellar Systems products installed outside the united states and Canada.
8. Any special, indirect, consequential, property, or commercial damage of any nature whatsoever.

**LIMITATION OF WARRANTIES** - this warranty is exclusive and in lieu of all other warranties express or implied. The remedies provided for in this warranty are exclusive and shall constitute the only liabilities on the part of **Wine Cellar Systems**. In no event shall **Wine Cellar Systems** be responsible for any consequential damages of any nature whatsoever.

**FOR SERVICE OR REPAIR, FOLLOW THESE STEPS:**

- First: Contact the installer.
- Second: Contact the dealer.
- Third: Contact:

**Wine Cellar Systems**  
6434 Canastota Drive.  
Hamilton, Ohio 45011  
Ph: (513) 863-6596

Model No. \_\_\_\_\_  
\_ Serial No. \_\_\_\_\_ Date of installation \_\_\_\_\_

This page intentionally left blank

# A Special Note To the Installer!

If you would like your name to be added to our list of installers, Please fill out the following and mail or fax to

## **Wine Cellar Systems**

6434 Canastota Drive.  
Hamilton, Ohio 45011  
Ph: (513) 863-6596  
**FAX (513) 863-6632**

**Job name**

---

**Geographic Area that you are available for installations**

---

**Company Name** \_\_\_\_\_

**Address** \_\_\_\_\_

**City** \_\_\_\_\_ **State** \_\_\_\_\_ **Zip** \_\_\_\_\_

**Phone#** \_\_\_\_\_ **FAX#** \_\_\_\_\_

Did you find our equipment Easy \_\_\_\_ Hard \_\_\_\_ Fair \_\_\_\_ to install?

Was the instructions Good \_\_\_\_ Fair \_\_\_\_ Poor \_\_\_\_

Did you require additional information Yes \_\_\_\_ No \_\_\_\_

If you needed additional support what did it concern ?

---