



*Superior Design & Craftsmanship*

**Wine Rack  
Assembly Instructions  
Single Column Magnum/Champagne**



**Classic Series**



**Estate Series**

Congratulations! You have purchased the finest wine racking available anywhere. Properly assembled, these Vigilant wine racks will outlast even your finest wines. Please call toll free **888-812-4427** if you have any questions or problems.

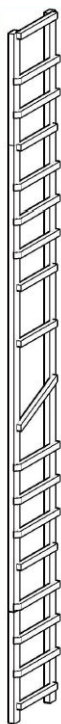
## Tools Required for Assembly:

- Electric drill or cordless screw gun
- 9/64" drill bit
- Phillips Head Screwdriver
- #2 Square drive bit
- Hammer, preferably rubber or soft-faced

**Note: If you have chosen your wine rack to be finished without pre-drilled holes, you will need a pneumatic nail gun to properly assemble your rack**

## Parts List:

Before starting, carefully review the parts and quantities against the parts list to make sure you have everything you need. Then read through the instructions, taking time to familiarize yourself with the pieces and steps.



Left Single-Sided Ladder



Right Single-Sided Ladder

### **Classic Series (77 1/2" high)**

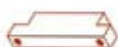
- 11 Spacer Bars (6" long)
- 1 Branded Spacer Bar (6" long)
- 1 Light Valance (4 1/2" long)
- 2 Single-Sided Ladders (77 1/2")
- 20 #8 Square Head Screws (1 1/2")
- 12 Screw Head Caps

### **Estate Series (92 1/2" high)**

- 13 Spacer Bars (6" long)
- 1 Branded Spacer Bar (6" long)
- 1 Light Valance (4 1/2" long)
- 2 Single-Sided Ladders (92 1/2")
- 24 #8 Square Head Screws (1 1/2")
- 14 Screw Head Caps



Branded Spacer Bar



Spacer Bar



Screw Head Caps



#8 Square Head Screw



Light Valance

## Parts List



### **Tips: For Building Your Wine Racks**

Before assembling your rack, line up all of your spacer bars. If any spacer bars have blemishes from shipping they can be used as back spacer bars, where they will not be seen.

If you are using a powered screw gun that has a clutch, make sure to set it at a low setting first until you find the right setting. If you have it set high it may over tighten and then split the wood.

Pre-drill all screw holes with a 9/64" drill bit. This makes it less likely for your wood to split. (The easiest way to do this is to follow the pre-drilled holes provided on certain pieces as your guide.)

When you screw through the spacer bar and into the ladder upright do not over tighten, especially on the end locations. Over tightening can cause your spacer bar to split.

Make sure you align the top of your spacer bar to the top of the spacer slat.

When drilling your rack into the wall it is easiest to drill through your top back spacer bar and into the wall stud.

When attaching racking to adjacent racking we recommend using clamps to hold the adjacent racks together before securing with screws.

The best placement for your screws, to secure adjacent racks is under all spacer bar locations. This keeps the screws hidden and keeps your rack secure and steady.

### **How to Care for Your Stained & Lacquered Wine Racks**

Your Vigilant wine racks are built using the highest quality mahogany wood and finish available. When properly cared for, your wine racks will last longer than your finest bottles of wine. Here are a few tips on maintaining the quality and consistency of your racking.

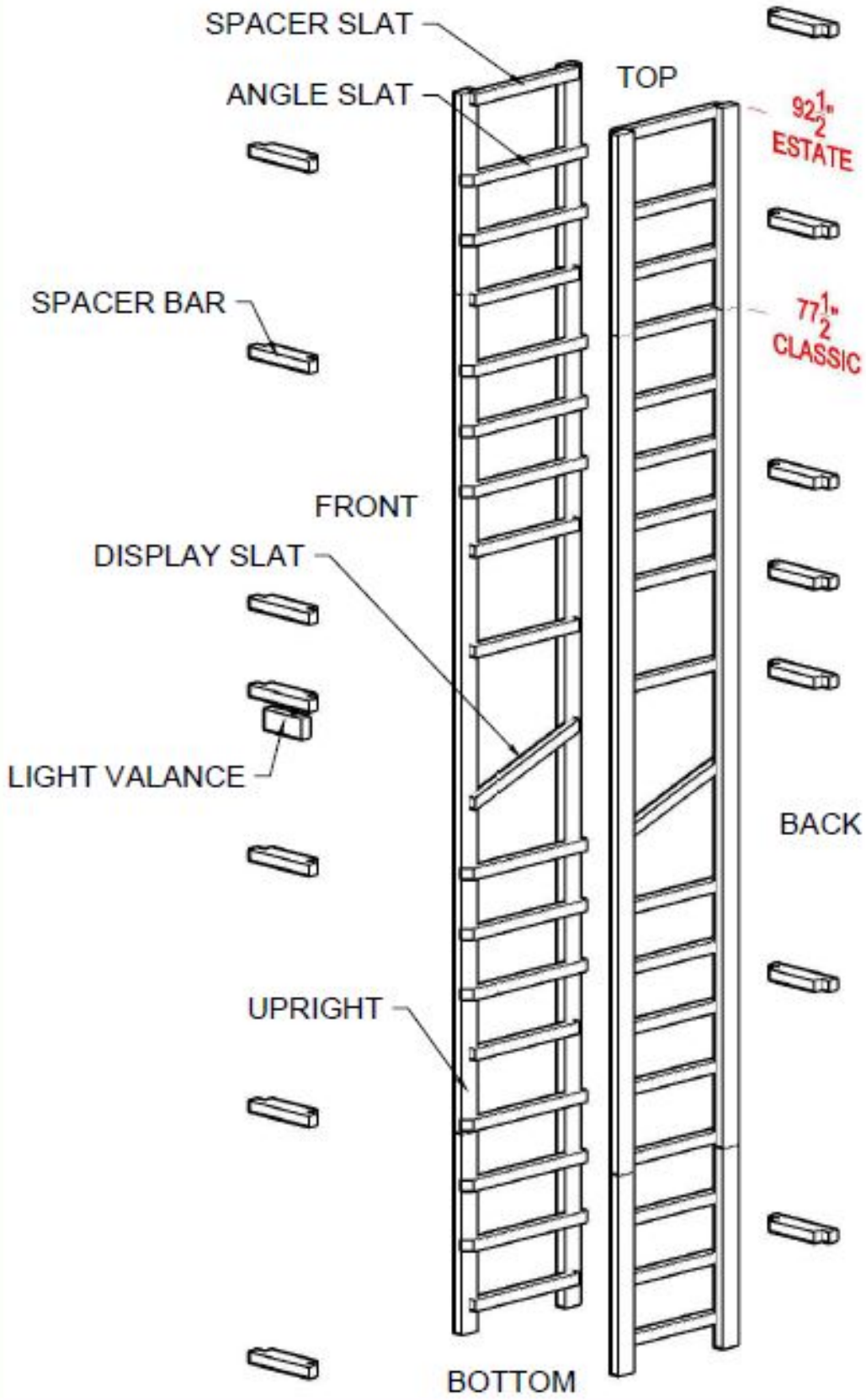
**Remove Dust:** Dust build up from small airborne particles may scratch the surface if not removed correctly. Simply wipe the surface with a cloth dampened with a cleaning polish or mild detergent.

**Clean:** Fingerprints, cooking fumes, smoking residue, etc., accumulate on any surface. None of these contaminants will harm our Clear Guard™ finish, but they should be periodically removed to restore the finish to its original luster. Just wipe the surface with a cloth dampened with a non-wax containing polish or mild detergent solution. Avoid the use of ammonia based products or silicone oil, as they may cause damage if used over a long period of time.

Our Clear Guard™ finish is durable and resistant to most household spills. However, spills should be wiped up promptly to avoid potential problems.

Excessive prolonged exposure to direct sunlight, high temperatures and high humidity can cause damage to both the finish and the wood itself. These should be avoided.

Following these simple steps will keep your finished wine racks looking like new for many years.



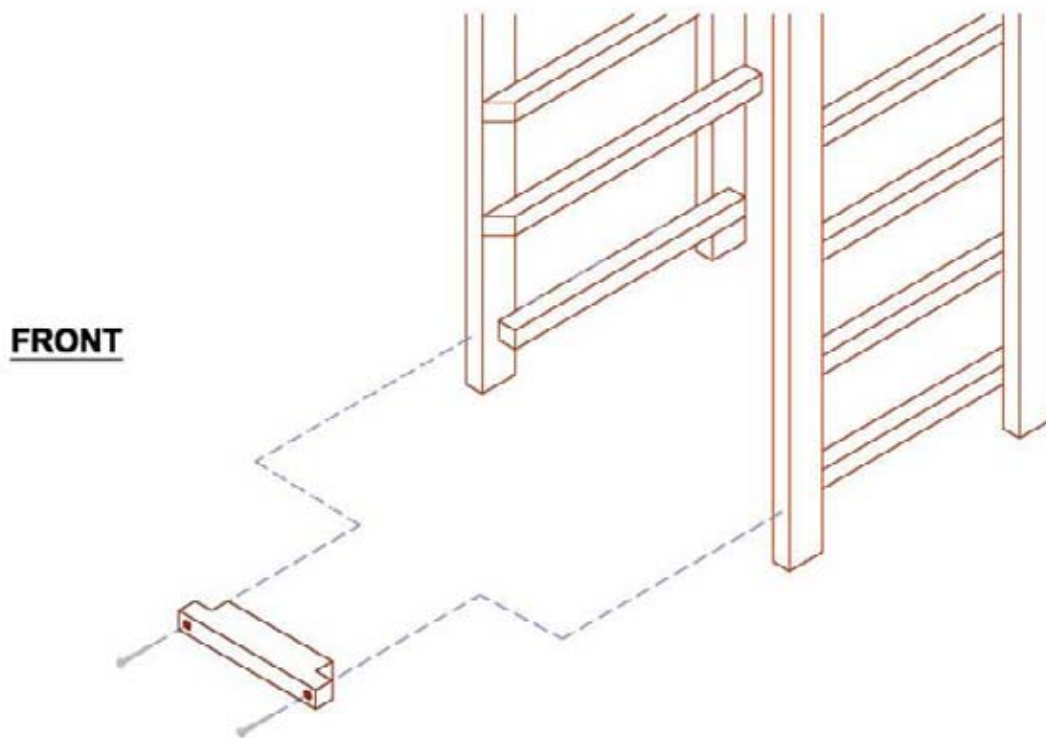
**Exploded View**

## Steps to Assembly

Please see notes in instructions for special steps on assembling racking without pre-drilled holes.

1. Locate one of your side ladders. You will notice that the top of the ladder has horizontal slats flush with the top of the front uprights, while the bottom slats are set in 1 3/4" from the bottom of the uprights. The ladder fronts are distinguished by slats that have an angled face, while the backs show the square ends of the horizontal slats (**See Exploded View**). The other piece you need to locate is one of the spacer bars.

2. Set your ladder with the back on the floor (angled slats facing up). Then insert the spacer bar by placing the two rabbets (or slots), at each end of the spacer bar, over the ladder upright at the spacer slat location (**Figure 1**).

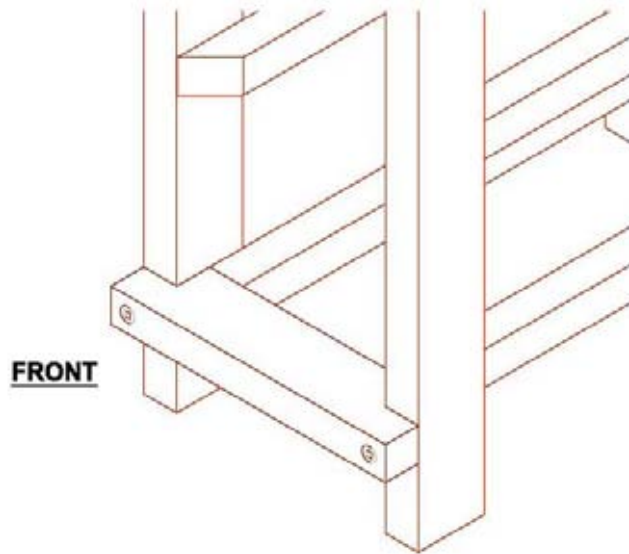


**Figure 1**

3. Pre-drill a screw hole through the existing hole in the spacer bar and into the ladder upright using a 9/64" drill bit. Change to the square drive bit and drive a screw into the pre-drilled hole. Be sure that the screw head sinks below the surface.

**Note:** For racks without pre-drilled holes, attach spacer bar using nail gun in step 3.

4. Repeat step 3 for the second side ladder.
5. At this point both ladders should be attached to the first spacer bar (**Figure 2**). Set another spacer bar over the next spacer slot location. Attach using the same method as in steps 2 and 3.
6. Repeat once more if you have the Estate Racking. Skip to step 7 if you have the Classic Racking.

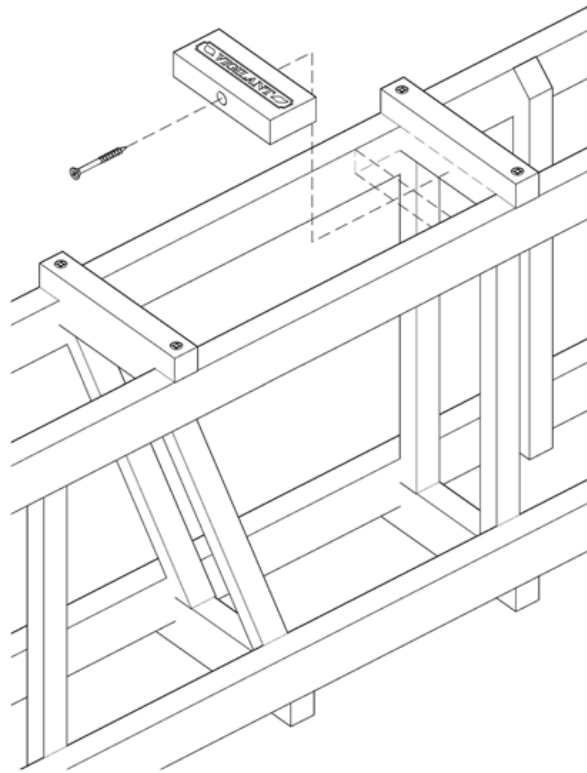


**Figure 2**

7. Locate your branded spacer bar. Attach by repeating steps 2 and 3. This spacer bar will be the center spacer bar for your assembly.  
**Note: If you do not want the Vigilant Brand showing, attach a blank spacer bar in this location and place the branded spacer bar in a back spacer bar position.**
8. Continue adding spacer bars, repeating steps 2 and 3, until all front spacer bars have been attached.
9. Carefully flip the assembly onto its front. Attach the remaining spacer bars to the back in the same manner as used for the front.
10. Stand your assembly up and place screw caps onto the heads of all front screws.

11. Locate your branded light valance. Attach light valance to the spacer bar above the angled display row, as seen in Figure 3.

**Figure 3**



**Note:** The valance may be attached with the brand facing inside or outside.

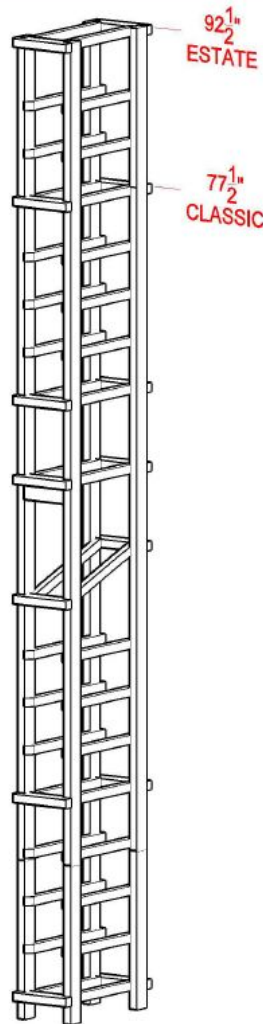
12. Stand your assembly up and place screw caps onto the heads of all front screws.

**Note:** No screw caps are needed when nail gun is used.

13. Your rack is now complete and ready to be moved to its final location. The rack should be placed with its back against a wall and be shimmed to level, front to back and side to side.

14. Attach your rack to the wall by drilling through at least one back spacer bar and into two wall stud locations then fasten securely with wood screws (not provided).

*\*\*Failure to attach the rack to the wall could result in the rack tipping over. When fully loaded with wine your rack will weigh 60lbs. for the Classic Series and 70lbs. for the Estate Series.*



### **Questions?**

Please contact our Customer Service Department  
at 888-812-4427

Vigilant Inc.  
85 Industrial Park Drive  
Dover, NH 03820  
(603) 285-0400

[Info@vigilantinc.com](mailto:Info@vigilantinc.com)  
Website: [vigilantinc.com](http://vigilantinc.com)