



Superior Design & Craftsmanship

Wine Rack Assembly Instructions

**5 Column Diamond Bin Table &
5 Column Diamond Bin Half
Height Rack**



Congratulations! You have purchased the finest wine racking available anywhere. Properly assembled, these Vigilant wine racks will outlast even your finest wines. Please call toll free 888-812-4427 if you have any questions or problems.

Tools Required for Assembly

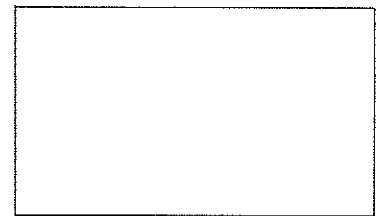
- Phillips Head Screwdriver
- Hammer, preferably rubber or soft-faced
- Finish nails (not provided)
- Hammer for finish nails

Parts List:

Before starting, carefully review the parts and quantities against the parts list to make sure you have everything you need. Then read through the instructions, taking time to familiarize yourself with the pieces and steps.

The diagram shows an exploded view of a wine rack. On the left are the 'Left Panel' and 'Right Panel'. Below them are the 'Top Panel' and 'Bottom Panel'. In the center are the 'Front Panels' (F1, F2, F3, F4) and 'Back Panels' (B1, B2, B3, B4). To the right is the 'Face Frame'. Above the Face Frame are the hardware: a '#8 Square Head Screw', a '#10 Washer Head Screw', and a 'Screw Cover'.

- 2 Side Panels (40" long)
 - 1 Top Panel (22 1/32" long)
 - 1 Bottom Panel (22 1/32" long)
 - 1 B1 Panel (11 17/32" long)
 - 1 B2 Panel (31 17/32" long)
 - 1 B3 Panel (30 13/16" long)
 - 1 B4 Panel (9 27/32" long)
 - 1 F1 Panel (11 17/32" long)
 - 1 F2 Panel (31 17/32" long)
 - 1 F3 Panel (30 13/16" long)
 - 1 F4 Panel (9 27/32" long)
 - 1 Top Face Frame (20 1/4" long)
 - 2 Side Face Frame (40" long)
 - 1 Bottom Face Frame (20 1/4" long)
 - 8 #8 Square Head Screws (1 1/2" long)
 - 8 Screw Head Caps
 - #10 Washer Head Screws (1 1/4" long)
- Note:** Washer Head Screws come with tabletops only



Optional Tabletop

Parts List



Tips: For Building Your Bins and Cases

Do not use a power drill when tightening your screws. If you do you could pierce the outside of the wood.

Before assembling your wine storage bin or case place a blanket down. You want a clean and scratch free surface during assembly.

It is recommended to use glue at joints when ever possible to make the joint stronger.

Pre-drill all screw holes with a 9/64" drill bit. This makes it less likely for your wood to split. (The easiest way to do this is to follow the pre-drilled holes provided on certain pieces as your guide.)

When assembling your case work make sure that all front edges are flush to one another.

Align the front of your case work to the front spacer bar of the adjacent racking. (This is true for every item except the Quarter Round, where you will line the filler strip up to the front of the spacer bar.)

When lining your case work up with adjacent racking, it may be pulled out slightly from the wall and therefore not able to be attached to a wall stud. We recommend securing it to the adjacent racking on both sides or purchasing L-Brackets from your hardware store to attach it to the wall.

When attaching your assembly to adjacent racking or other case work we recommend using clamps to hold the pieces together before securing with screws.

When attaching case work to racking, drill a hole through the side at a discrete location like the very top or below a shelf.

If you are attaching a 10 Column Soffit Arch above a Diamond Bin Table Base, it is recommended to not attach the outer face frame on the Diamond Bin Table Base. This will allow easy access to the diagonal panels for easy removal when attaching the arch through the top of the table base.

How to Care for Your Stained & Lacquered Wine Racks

Your Vigilant wine racks are built using the highest quality wood and finish available. When properly cared for, your wine racks will last longer than your finest bottles of wine. Here are a few tips on maintaining the quality and consistency of your racking.

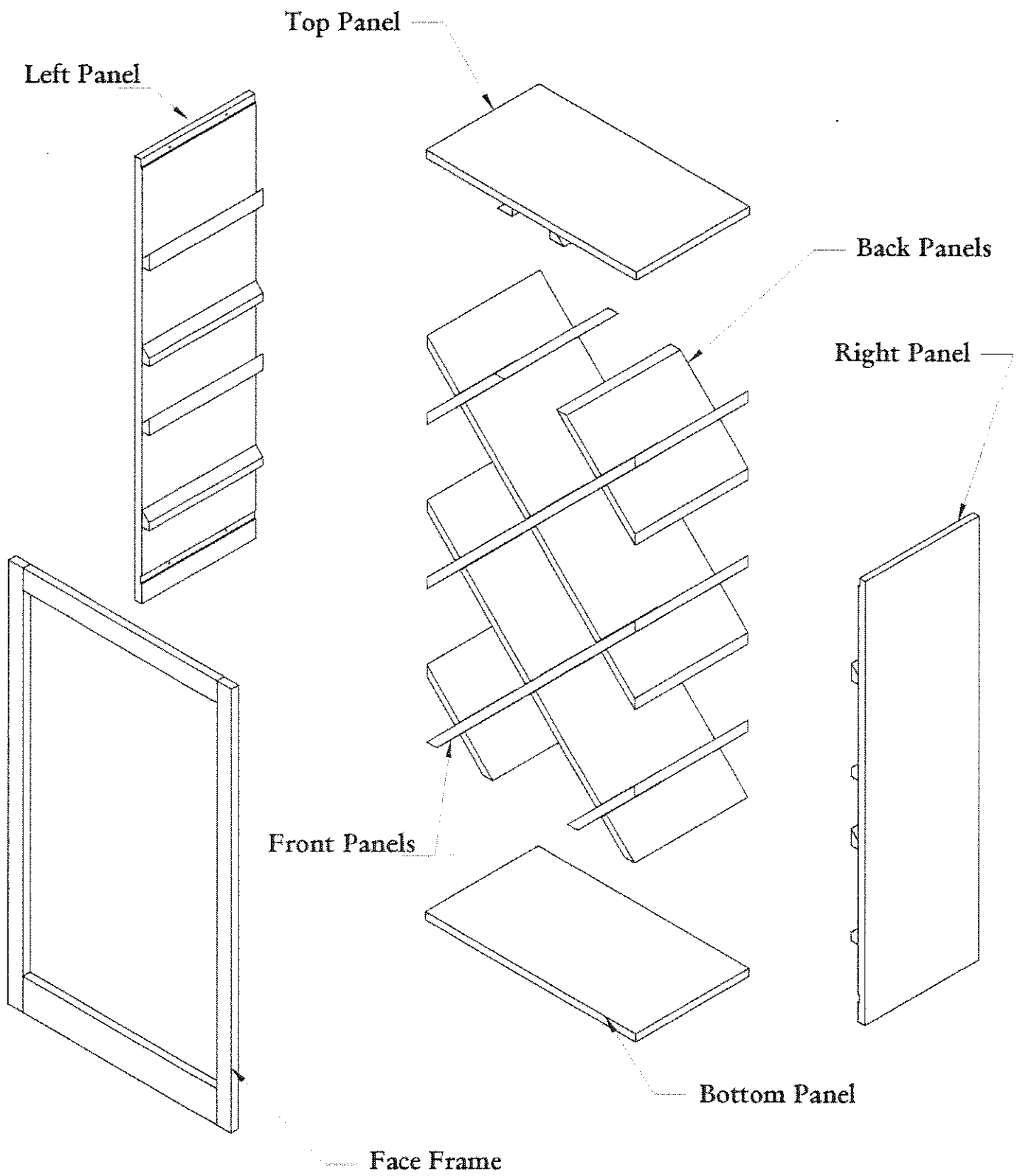
Remove Dust: Dust build up from small airborne particles may scratch the surface if not removed correctly. Simply wipe the surface with a cloth dampened with a cleaning polish or mild detergent.

Clean: Fingerprints, cooking fumes, smoking residue, etc., accumulate on any surface. None of these contaminants will harm our Satin lacquer finish, but they should be periodically removed, to restore the finish to its original luster. Just wipe the surface with a cloth dampened with a non-wax containing polish or mild detergent solution. Avoid the use of ammonia based products or silicone oil, as they may cause damage if used over a long period of time.

Our Satin lacquer finish is durable and resistant to most household spills. However, spills should be wiped up promptly to avoid potential problems.

Excessive prolonged exposure to direct sunlight, high temperatures and high humidity can cause damage to both the finish and the wood itself. These should be avoided.

Following these simple steps will keep your finished wine racks looking like new for many years.



Exploded View

Steps to Assembly

1. Locate your top, bottom and side panels. The two side panels have pre-drilled holes (See **Exploded View**).

2. Attach the left panel to the top panel using the pre-drilled holes and screws provided (**Figure 1**).

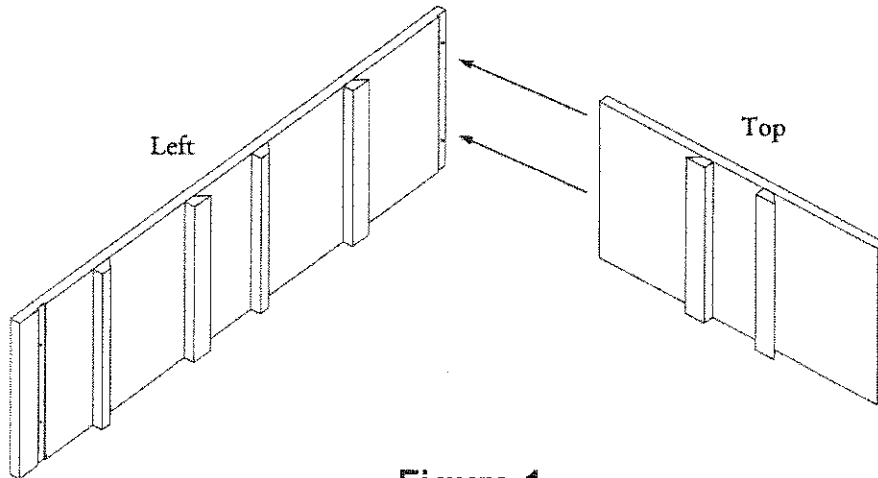


Figure 1

3. Attach the bottom panel to the left panel using the pre-drilled holes and screws provided (**Figure 2**).

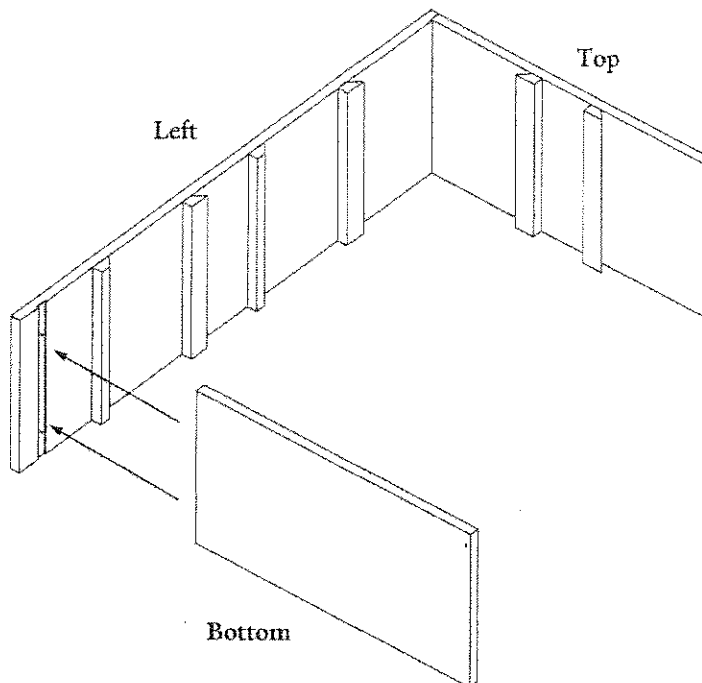


Figure 2

3. Attach the right panel to the top and bottom panels using the pre-drilled holes and screws provided (**Figure 3**).

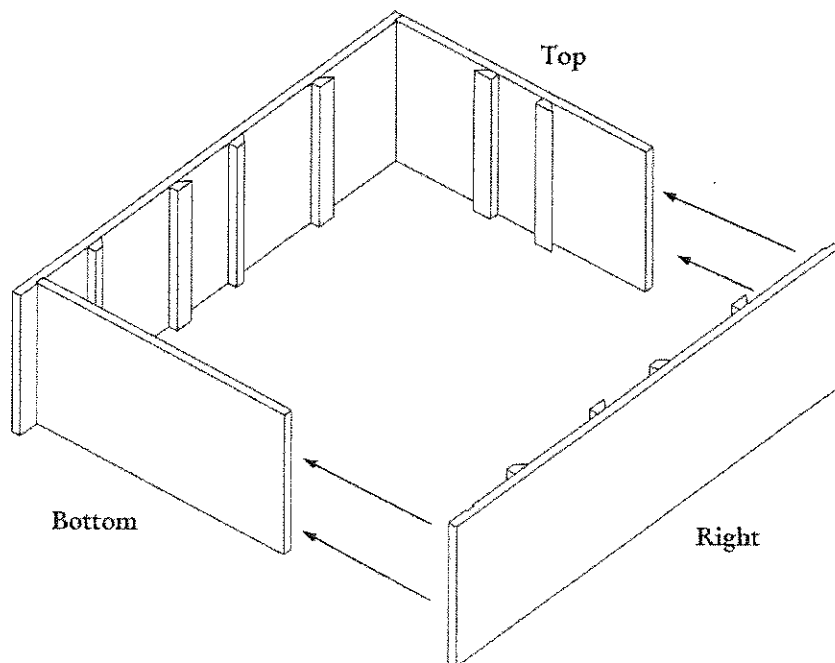


Figure 3

4. Locate panels labeled B1, B2, B3, and B4. In order to insure the panels are in the appropriate position, align the bottom of the panels with the right side cleats. All of these panels should be angled with the higher end on the left and lowest point on the right (**Figure 4**). Insert panel B1 in the upper right hand corner. Work your way down by inserting the B2 panel followed by the B3 panel. Finish by inserting the B4 panel into the lower left hand corner. (**Please note when installing the back diagonals that the dados (or slots) need to be facing the front of the bin.*)

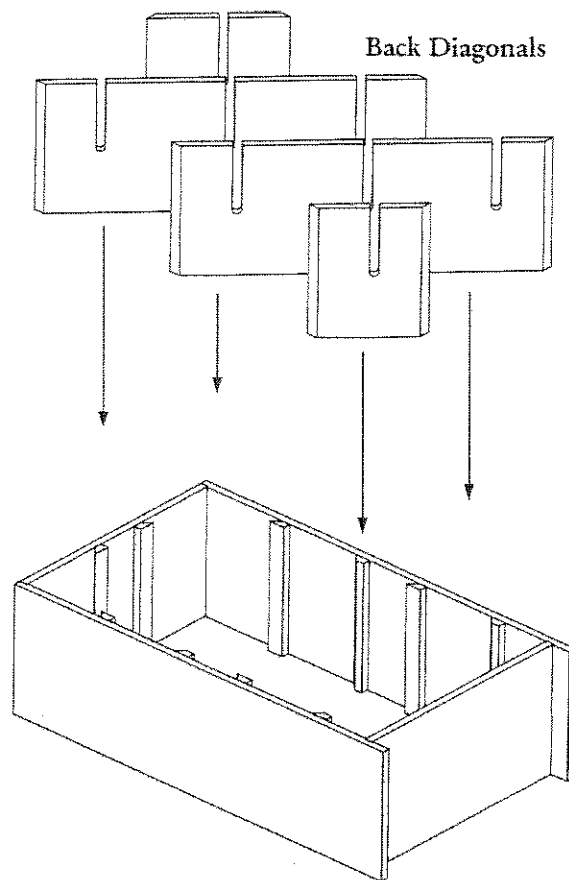


Figure 4

5. Locate the panels marked F1, F2, F3, and F4. Again, using the cleats as your guide, align the bottom of the panels with the left side cleats. Insert panel F1 in the upper left hand corner, fitting the slot in the center of the panel over the top of the slot in panel B1. After you have inserted panel F1, work your way down by inserting panels F2 and F3. Finish by inserting panel F4 in the lower right hand corner (**Figure 7**). (*Be sure to carefully align the edges of the inside panels so that they are flush with both the front and back edges of the side, top and bottom panels. You may need to use a soft-faced hammer or mallet to ensure a proper fit over the back panels.)

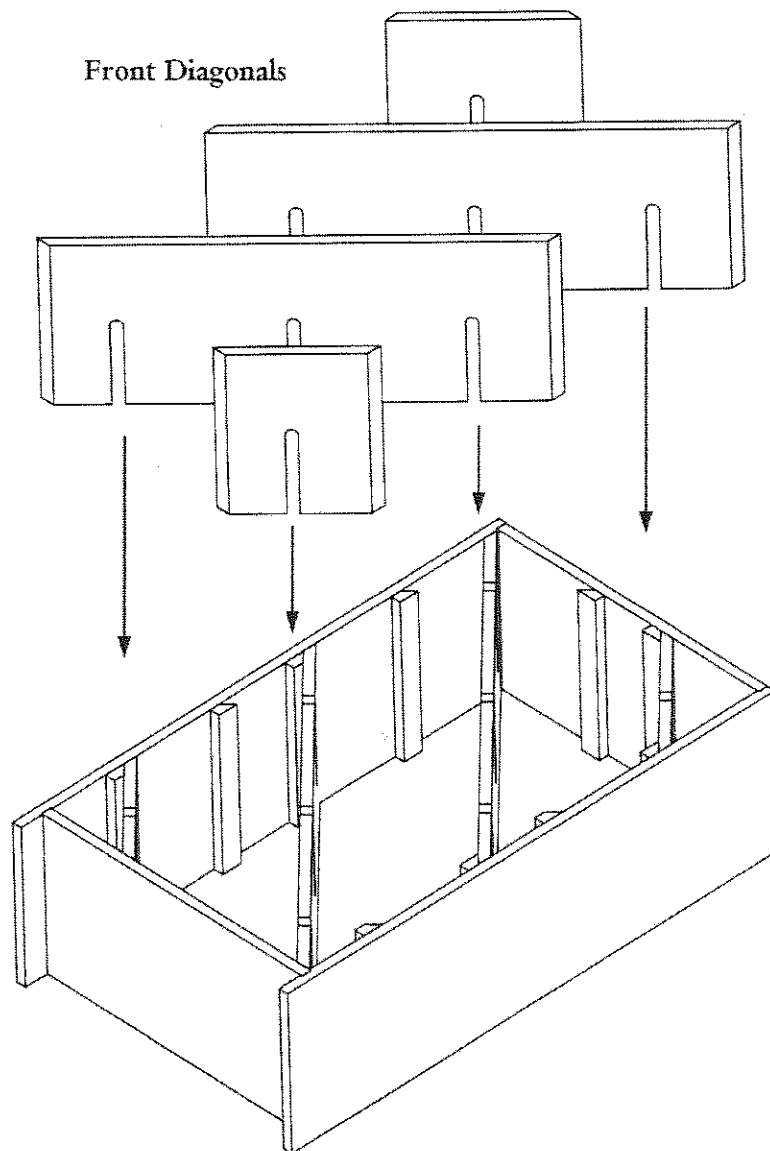


Figure 5

6. Once all panels are aligned, the assembly is ready to be stood upright.

7. Locate the 4 face frame pieces. Take one of the long side pieces and line it up flush to the left side. Attach to the bin in several locations with finish nails (not provided). Repeat this step with the top frame (Figure 6).
8. Attach the bottom frame in the same manner, making sure it is flush with the floor and flush with the left side piece of the face frame.
9. Locate the right side frame. Make sure this frame is flush with the top and bottom pieces. Attach the same way you did the other face frame pieces in Steps 7 and 8 (Figure 6).

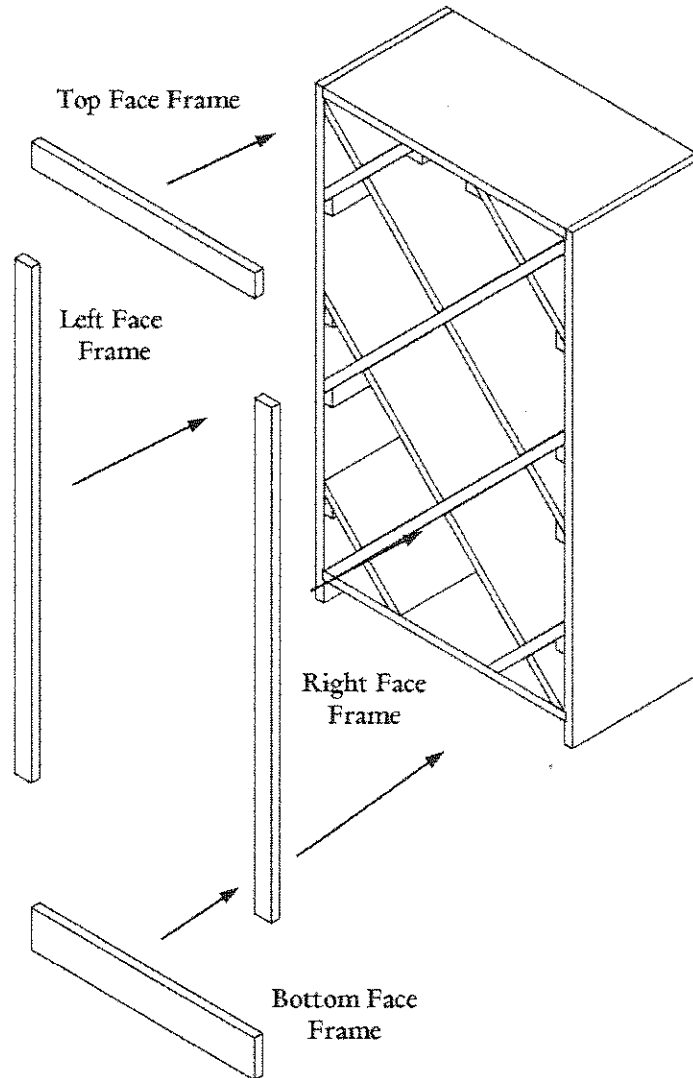
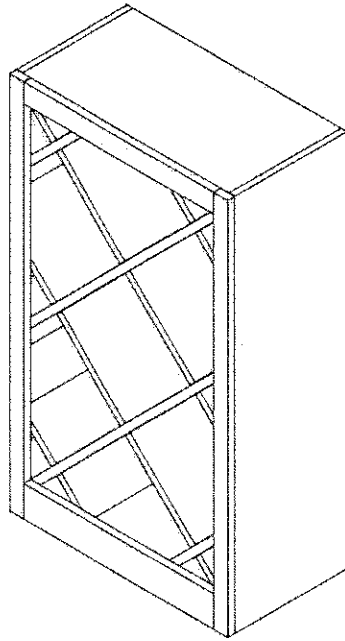


Figure 6

10. Your wine rack is not complete and ready to be moved to its final location. The rack should be placed against a wall and be shimmed to level, front to back and side to side.

***Failure to attach the rack to the wall could result in the rack tipping over. When fully loaded with wine your rack will weigh 150 lbs.*



Assembled Diamond Bin

11. **To attach a tabletop:** Position the tabletop so it is flush with the sides, front and back of the diamond bin. Using the washer head screws provided, attach the tabletop by drilling through the under side of the bin's top panel to secure the tabletop (**Figure 7**).

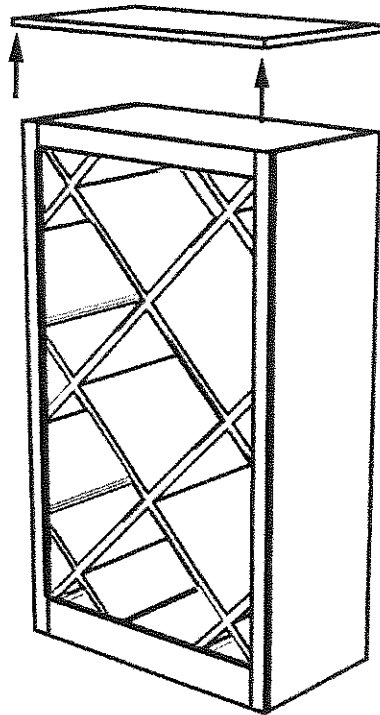


Figure 7



Superior Design & Craftsmanship

Questions?

Please contact our Customer Service Department
at 888-812-4427

Vigilant Inc.
85 Industrial Park Drive
Dover, NH 03820
(603) 285-0400
Info@vigilantinc.com
Website: vigilantinc.com